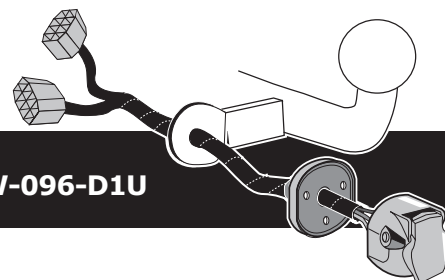
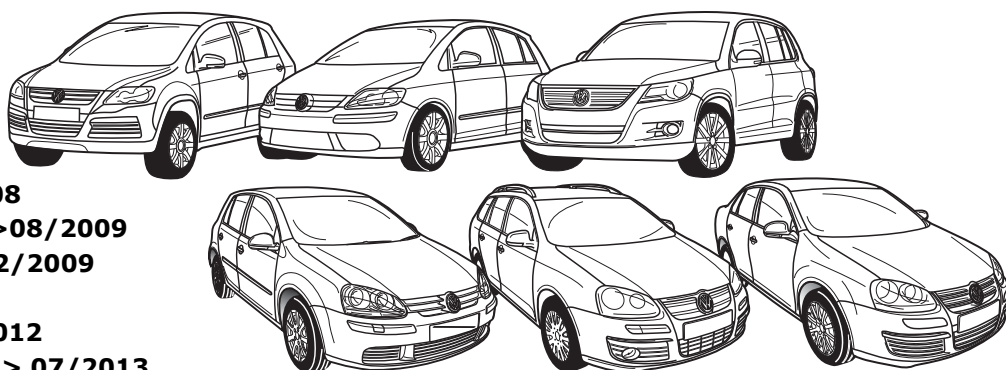


## Volkswagen

- Eos 01/2006 >>
- Golf V 10/2003 >>09/2008
- Golf V Variant 06/2007 >>08/2009
- Golf V Plus 01/2005 >> 02/2009
- CrossGolf 01/2007 >>
- Golf VI 10/2008 >> 10/2012
- Golf VI Variant 09/2009 >> 07/2013
- Golf VI Plus 03/2009 >>
- Jetta 08/2005 >>12/2010
- Jetta 01/2011 >>
- Tiguan I 11/2007 >> 03/2016

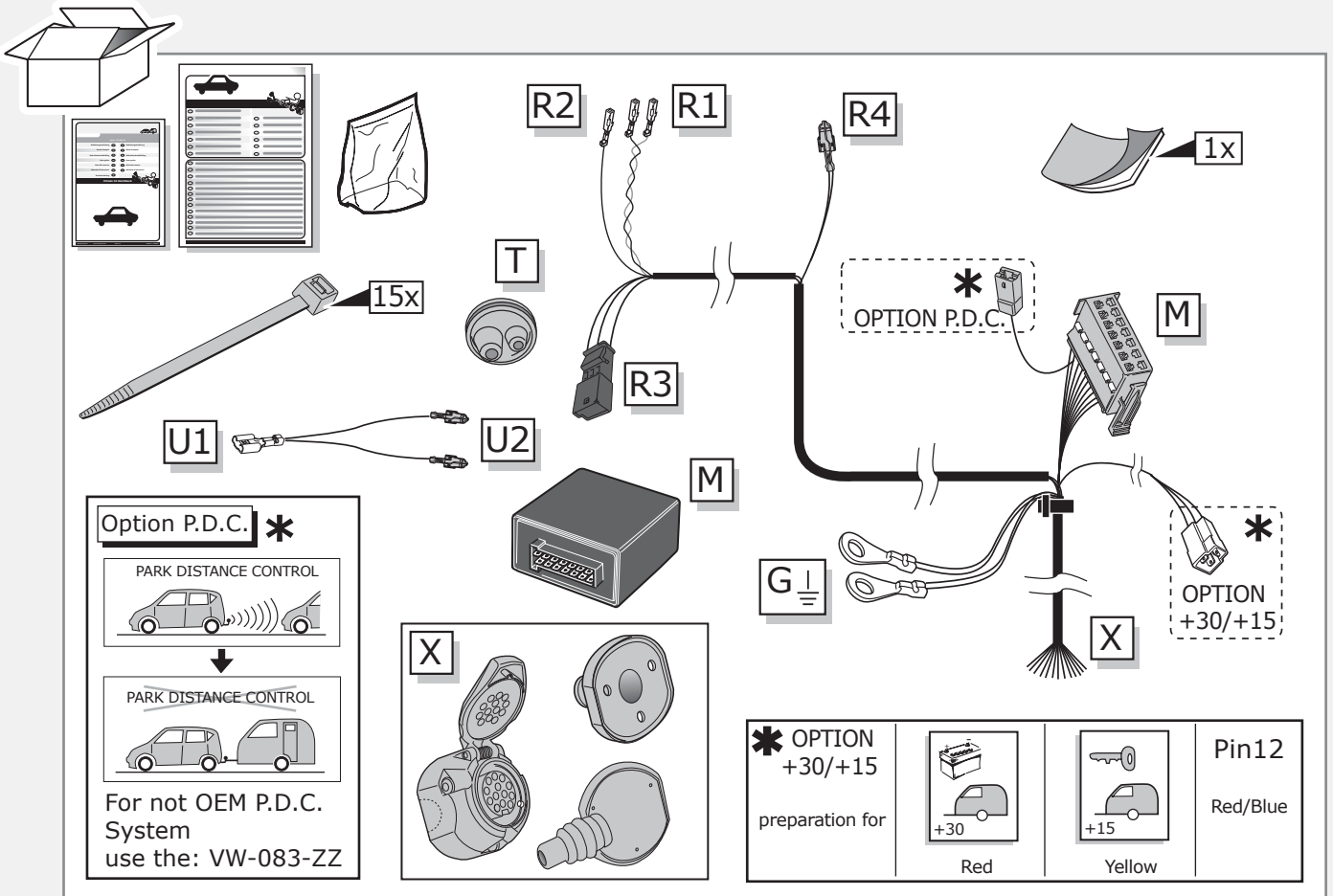


Partnr.: VW-096-D1U

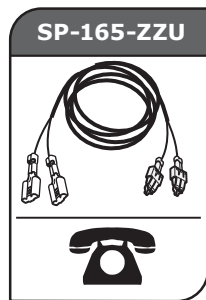
- Fitting instructions electric wiring kit tow bar with 13-P socket up to DIN/ISO Norm 11446.
- We would expressly point out that assembly not carried out properly by a competent installer will result in cancellation of any right to damage compensation, in particular those arising by virtue of the product liability act.
- Contents of these kits and their fitting manuals are subject to alteration without notice, please ensure that these instructions are read and fully understood before commencing installation.
- Do not overload circuits; the maximum loads per connection are detailed in this manual.
- Attention! Before Installation, please read this manual carefully and inform your customer to consult the vehicle owners manual to check for any vehicle modifications required before towing.
- In the event of functional problems, troubleshooting must be limited to about 0.5 hours, contact the technical support:  
[ukts@ecs-electronics.com](mailto:ukts@ecs-electronics.com) / 07440 202 052.



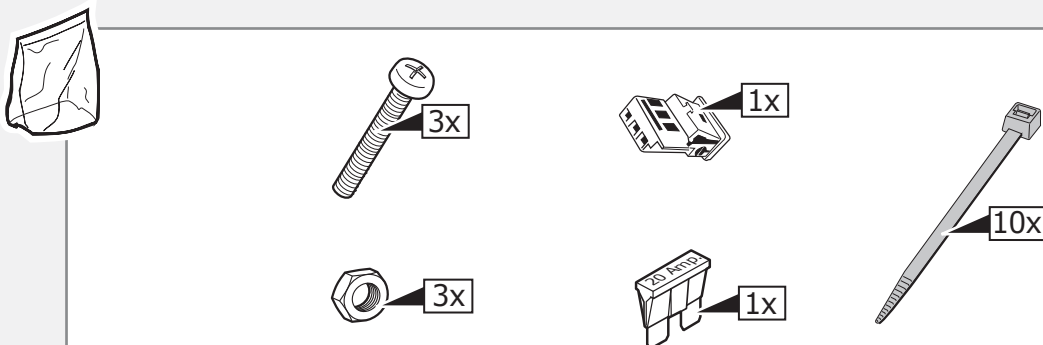
# Part list



Option \*  
+30/+15 extension kit

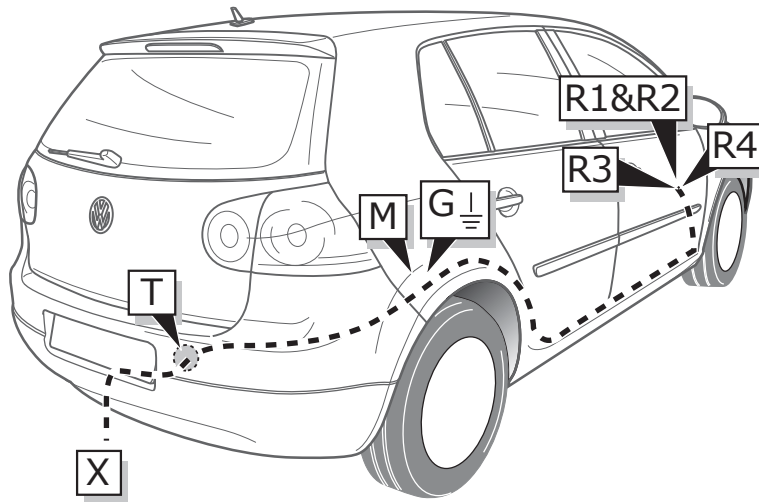


Consult your supplier.



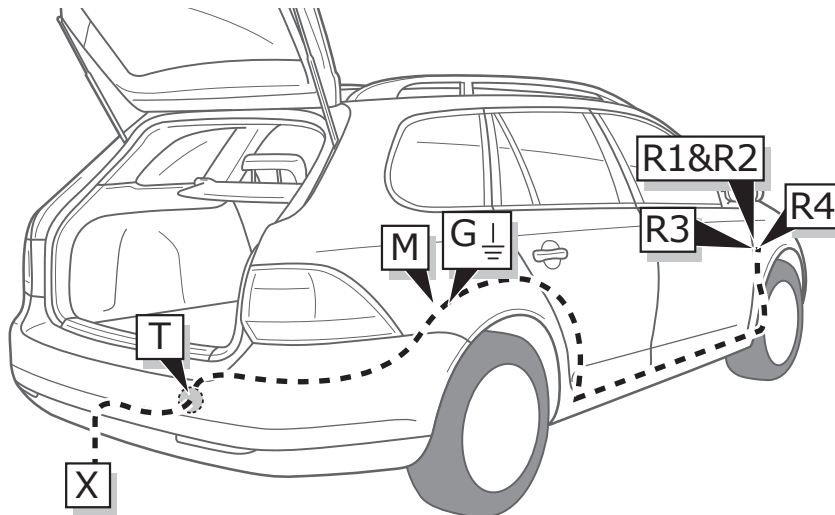
Golf V / Golf VI / Golf VI Plus

ROUTING



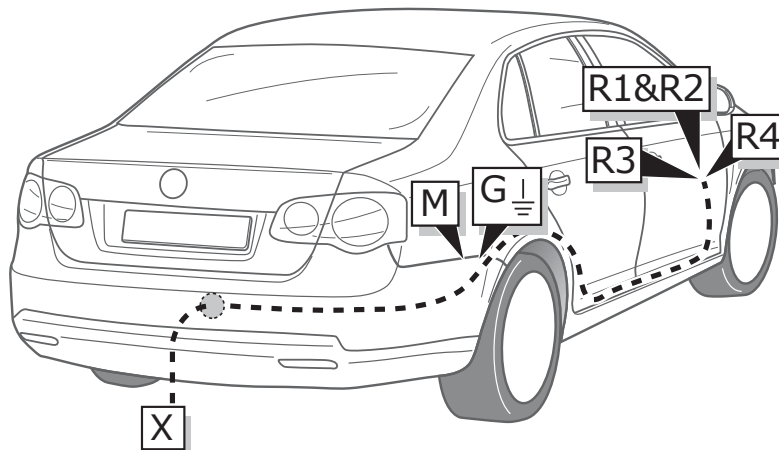
Golf V Variant / Golf VI Variant

ROUTING

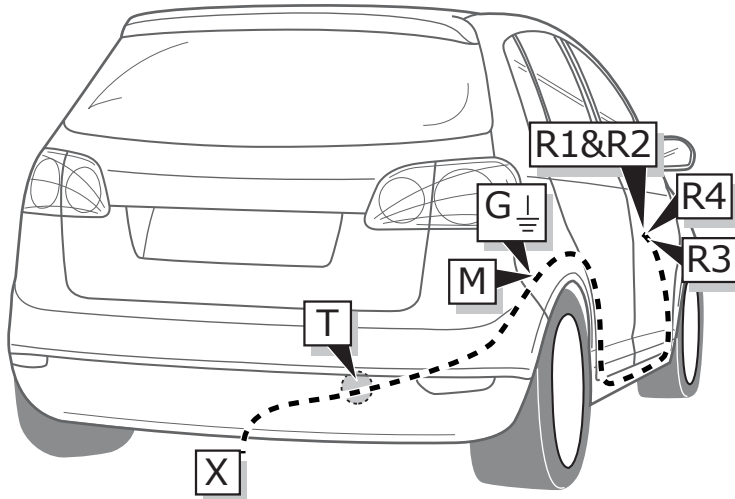


Jetta

ROUTING

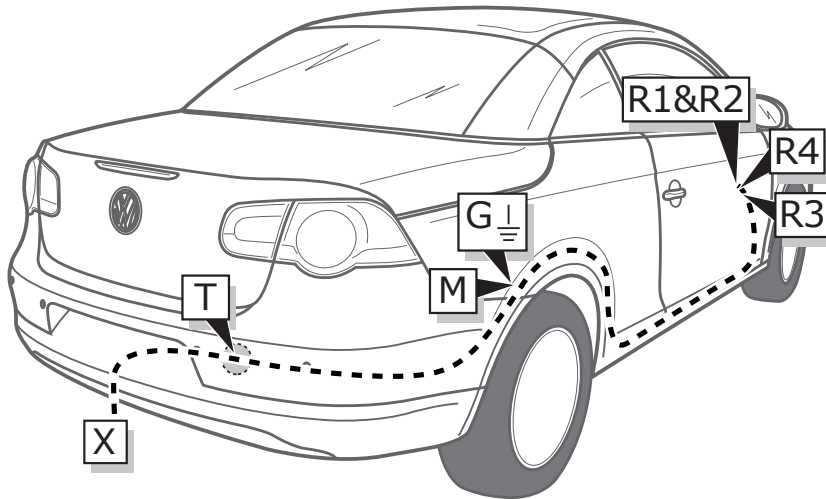


ROUTING



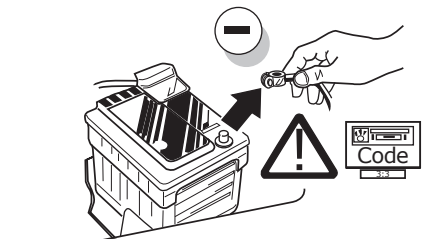
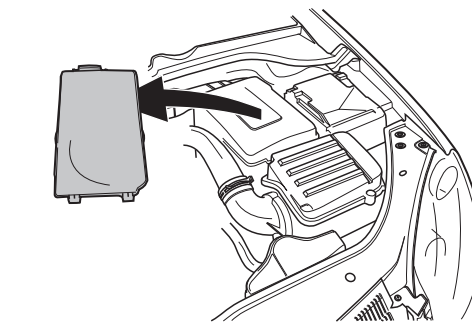
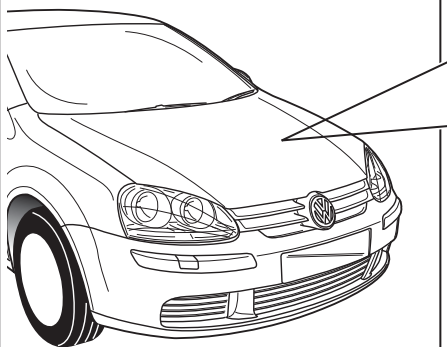
Eos

ROUTING



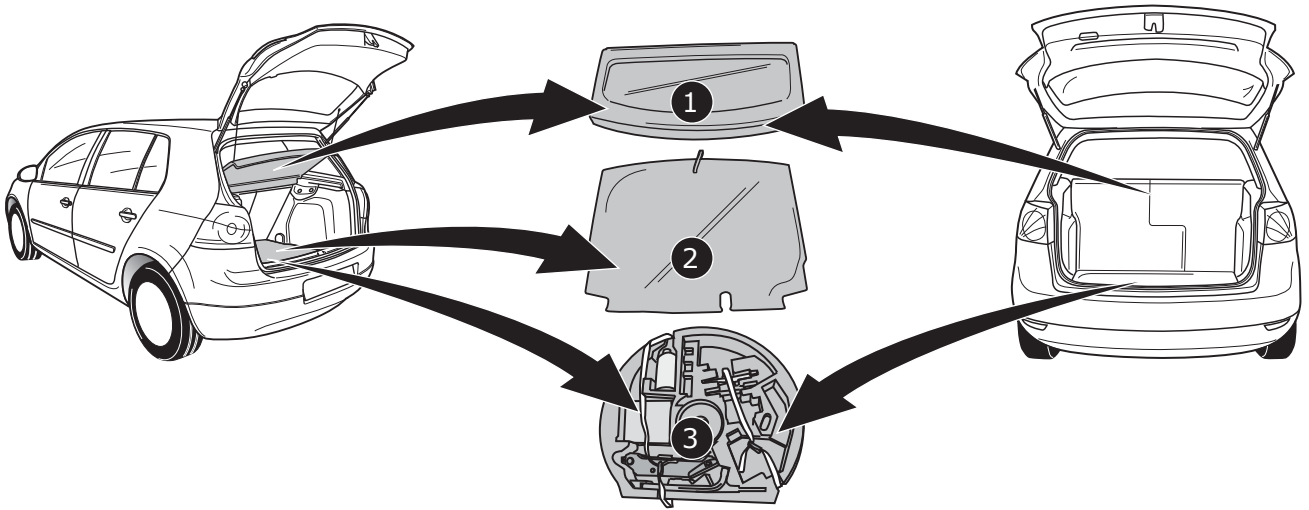
Golf V / Golf V Plus / Golf V Variant / Golf VI / Golf VI Variant / CrossGolf / Jetta / Tiguan / Golf VI Plus / Eos

1



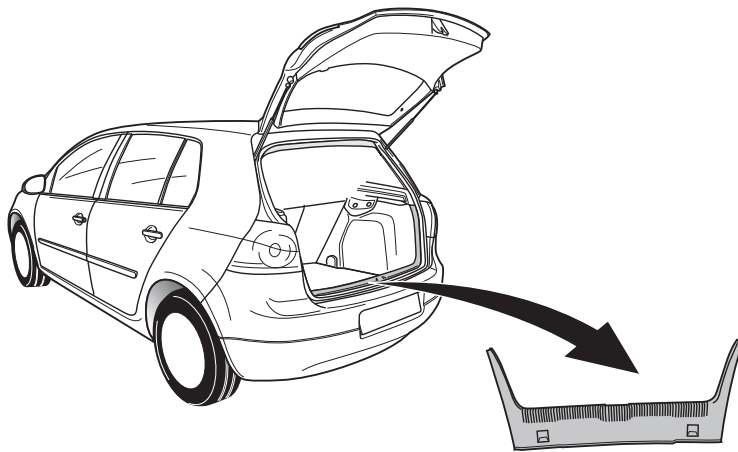
Golf V / Golf VI / Golf V Plus / CrossGolf / Golf VI Plus

2



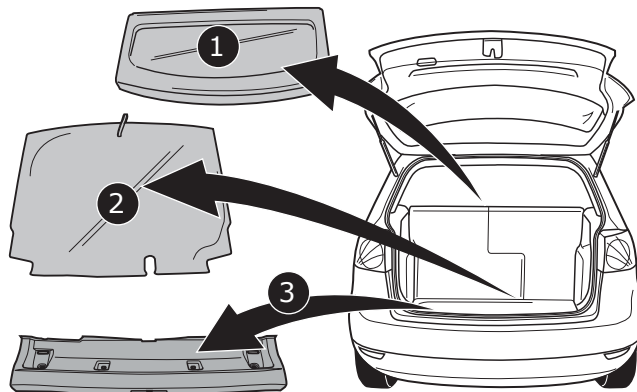
Golf V /Golf VI /Golf VI Plus

3



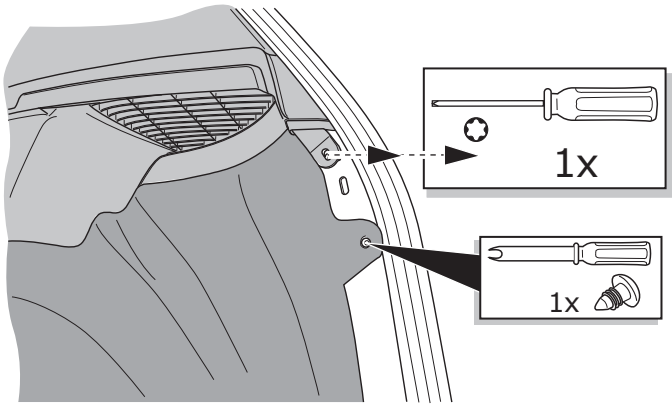
Tiguan

4

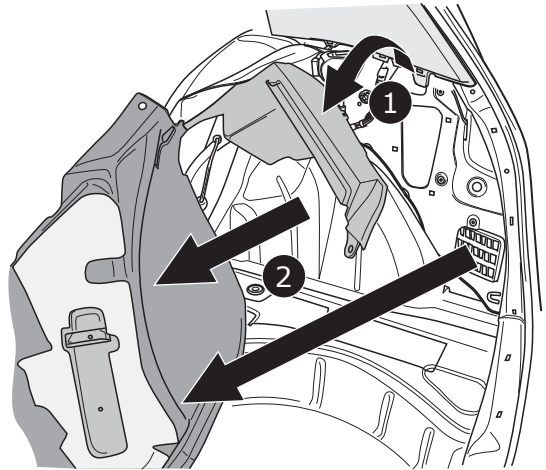


Golf V / Golf VI / Golf V Plus / CrossGolf

5

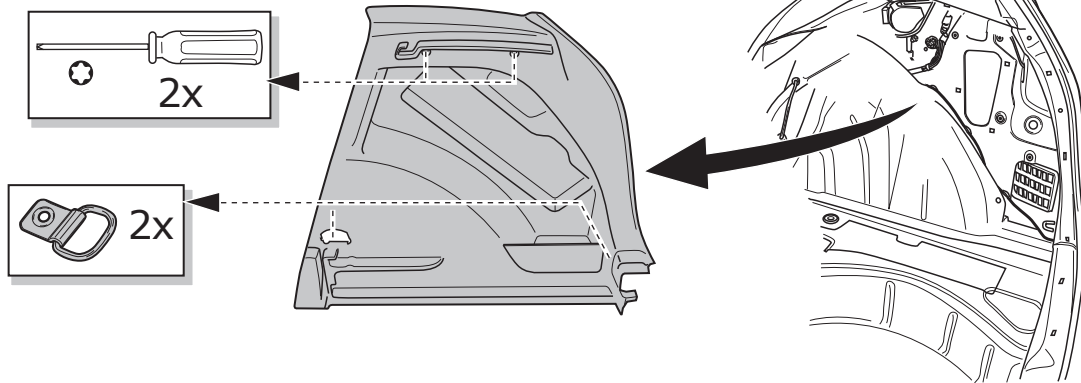


6



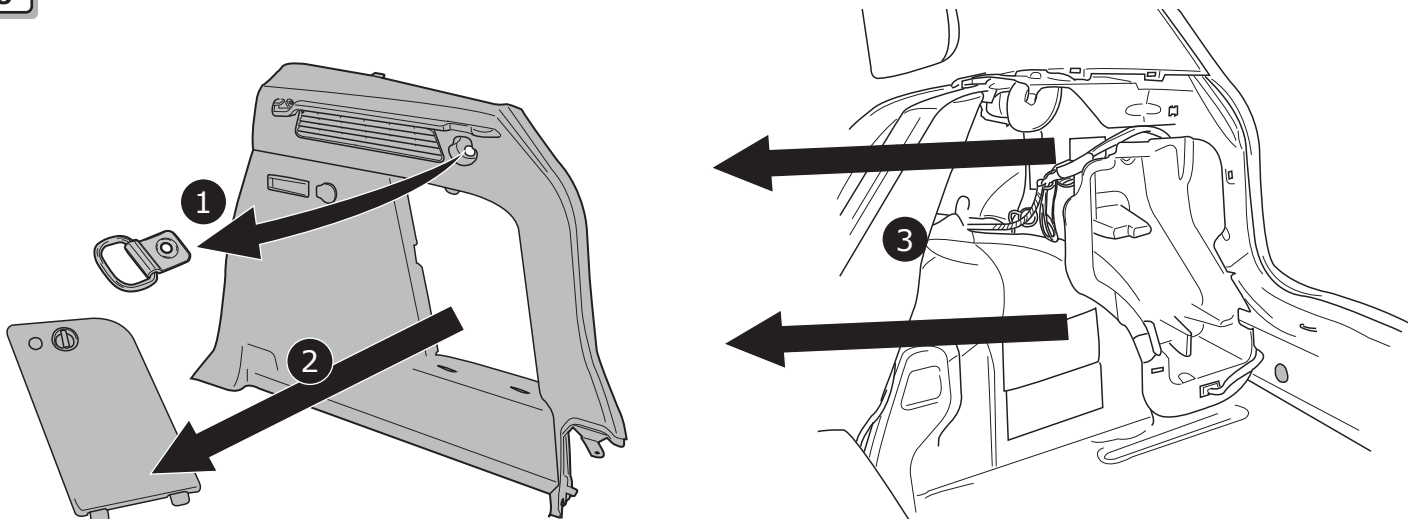
Golf VI Plus

7



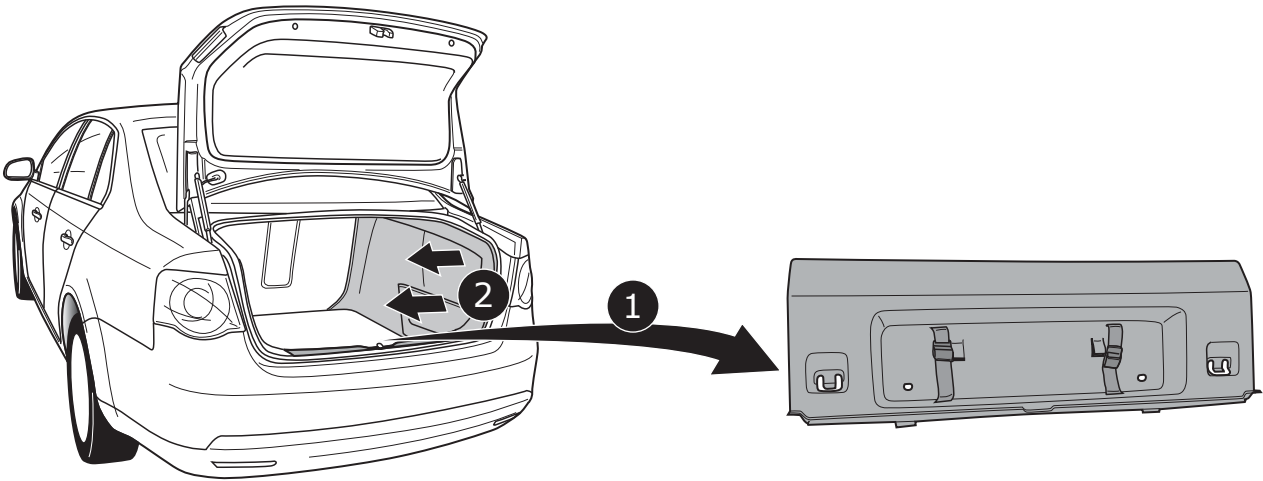
Tiguan

8



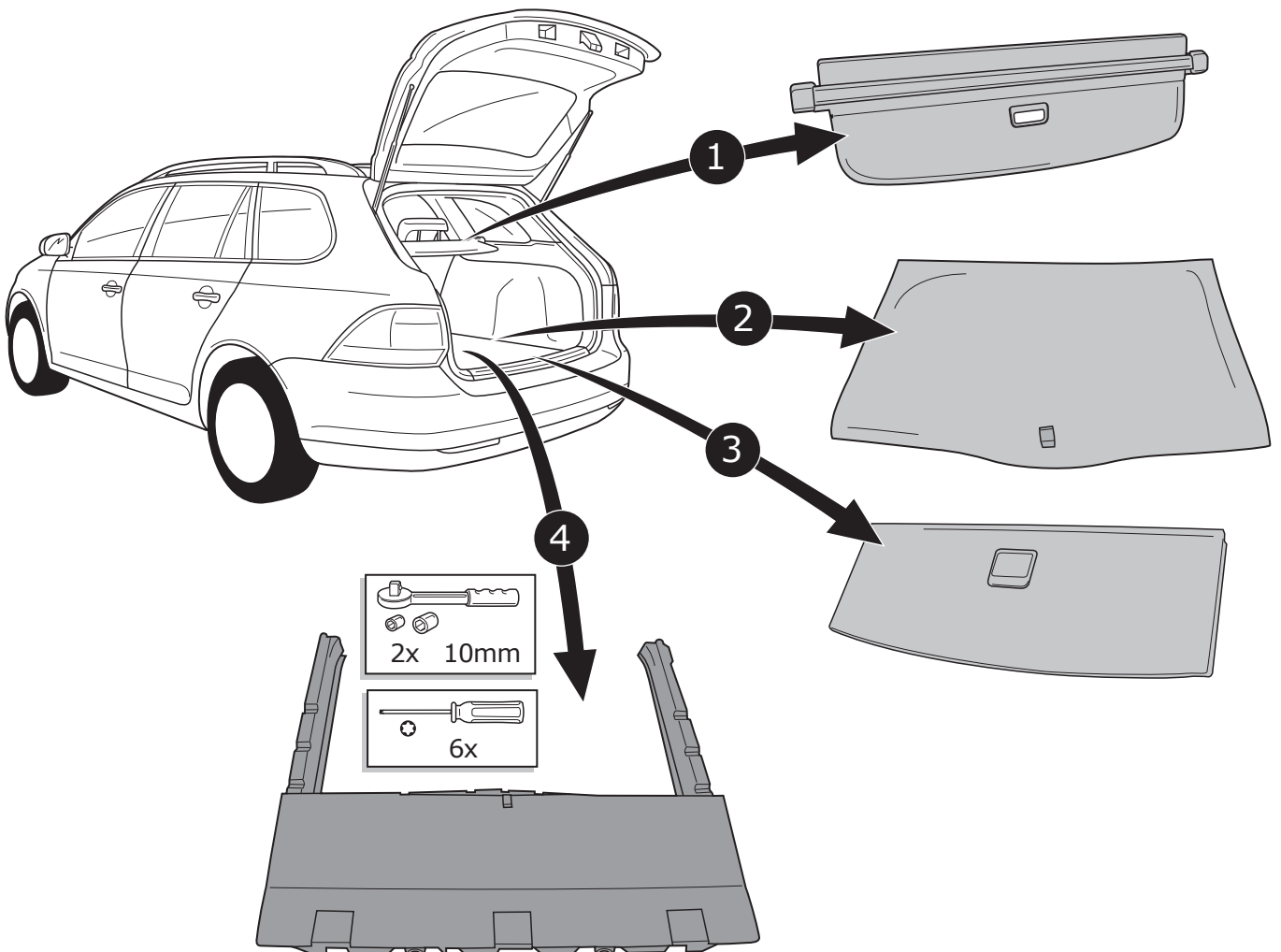
# Jetta

9

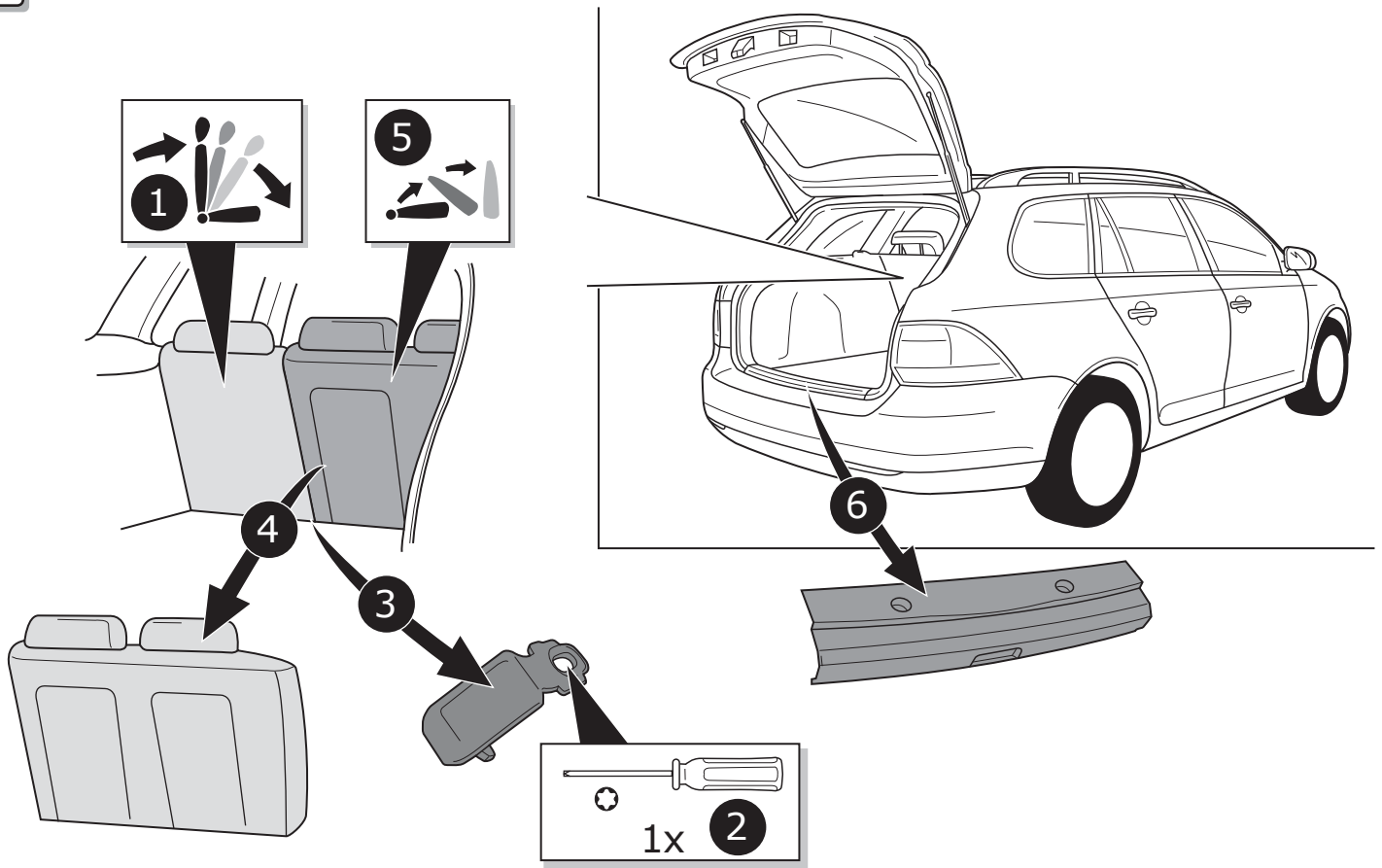


# Golf V Variant / Golf VI Variant

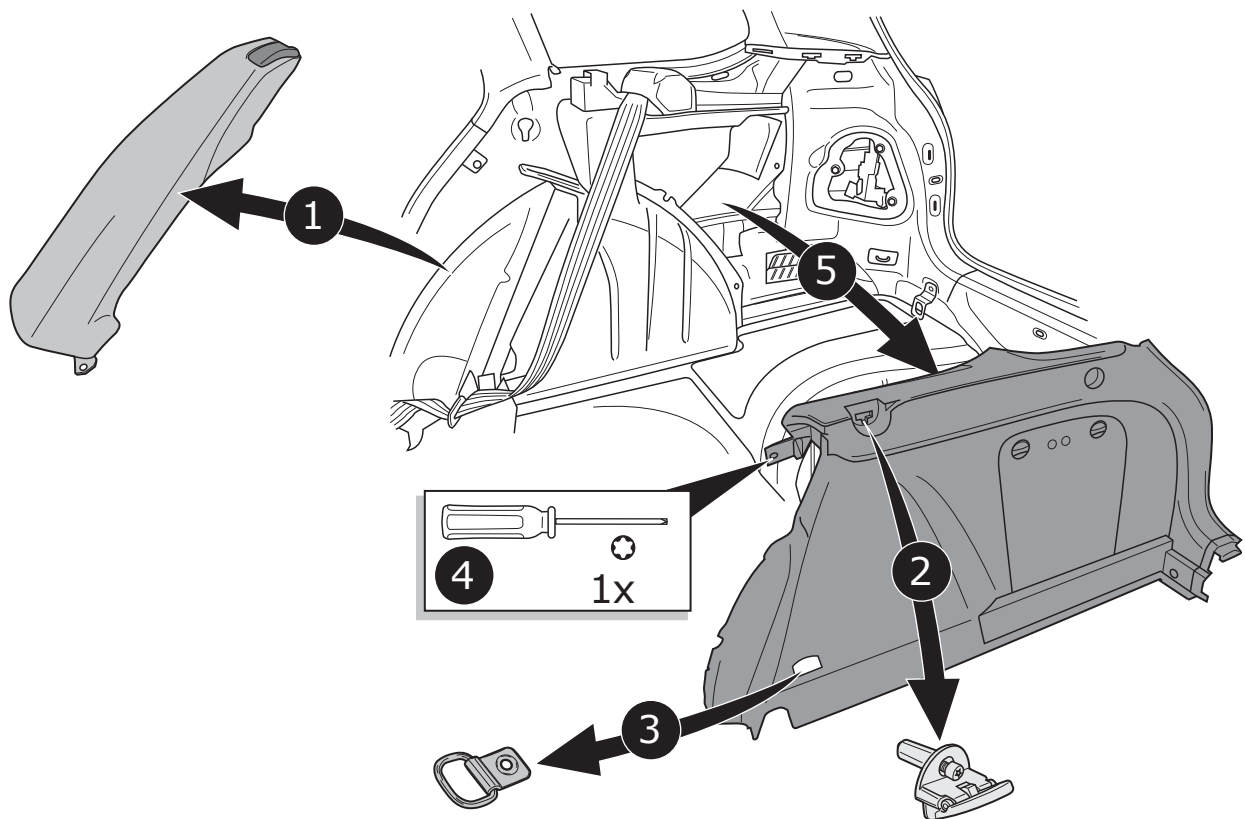
10



11

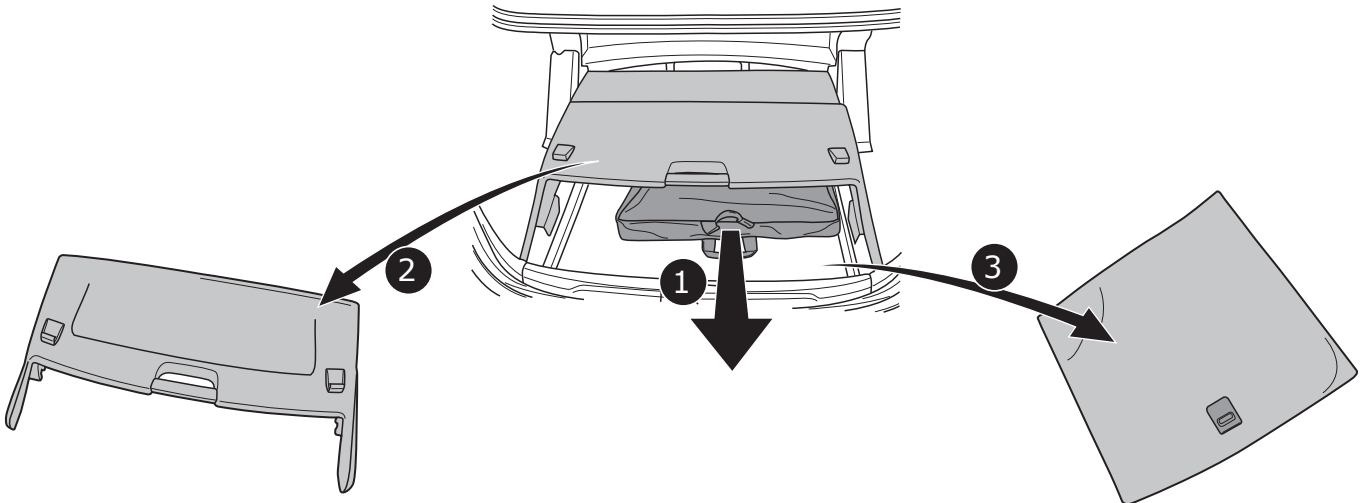


12

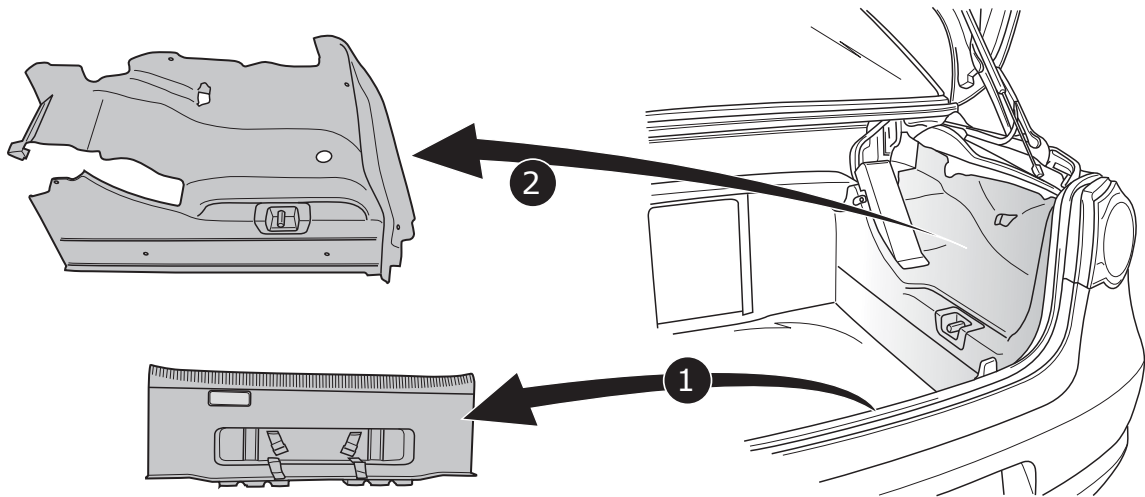




13

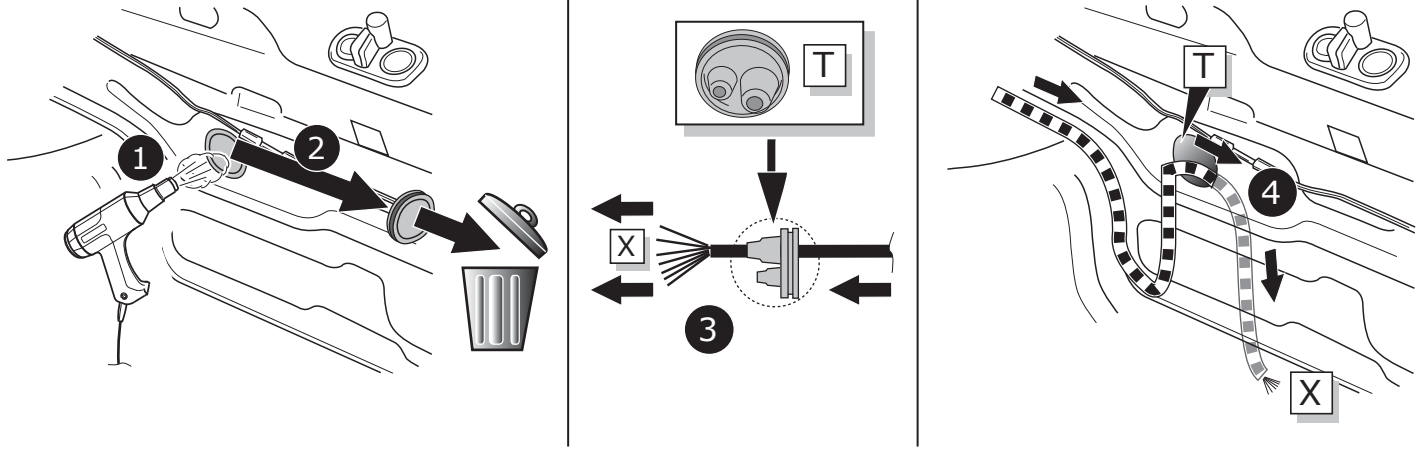


14



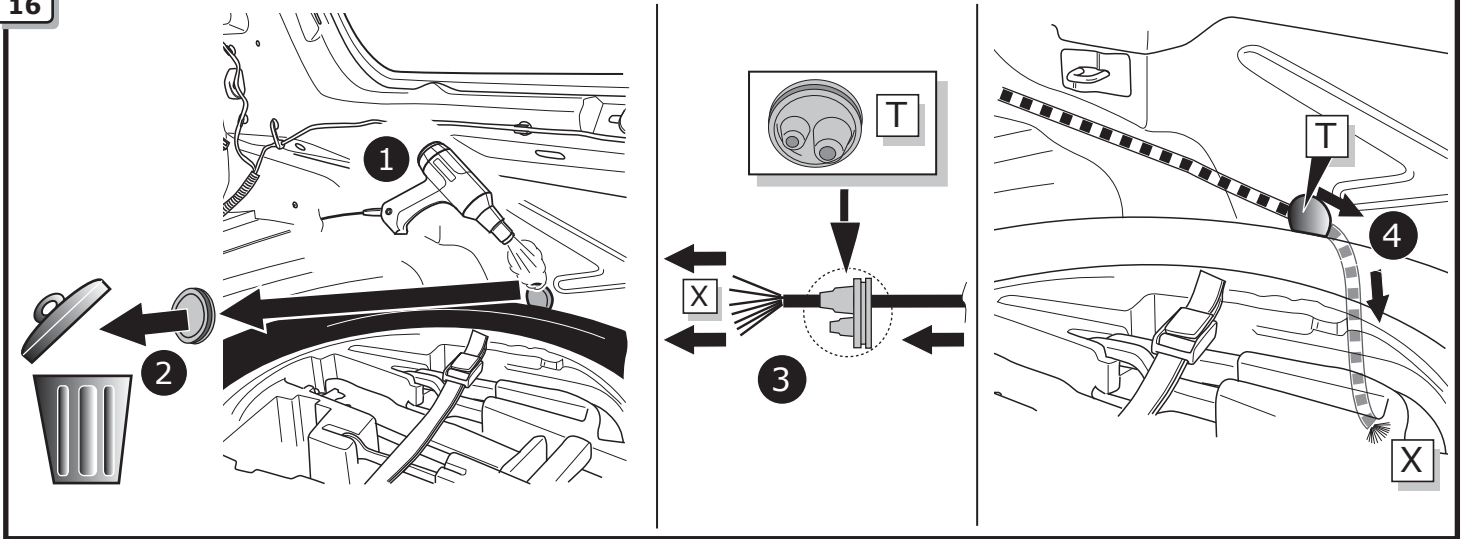
Golf V / Golf VI / Golf VI Variant / Golf V Plus / Golf V Variant / CrossGolf / Golf VI Plus

15



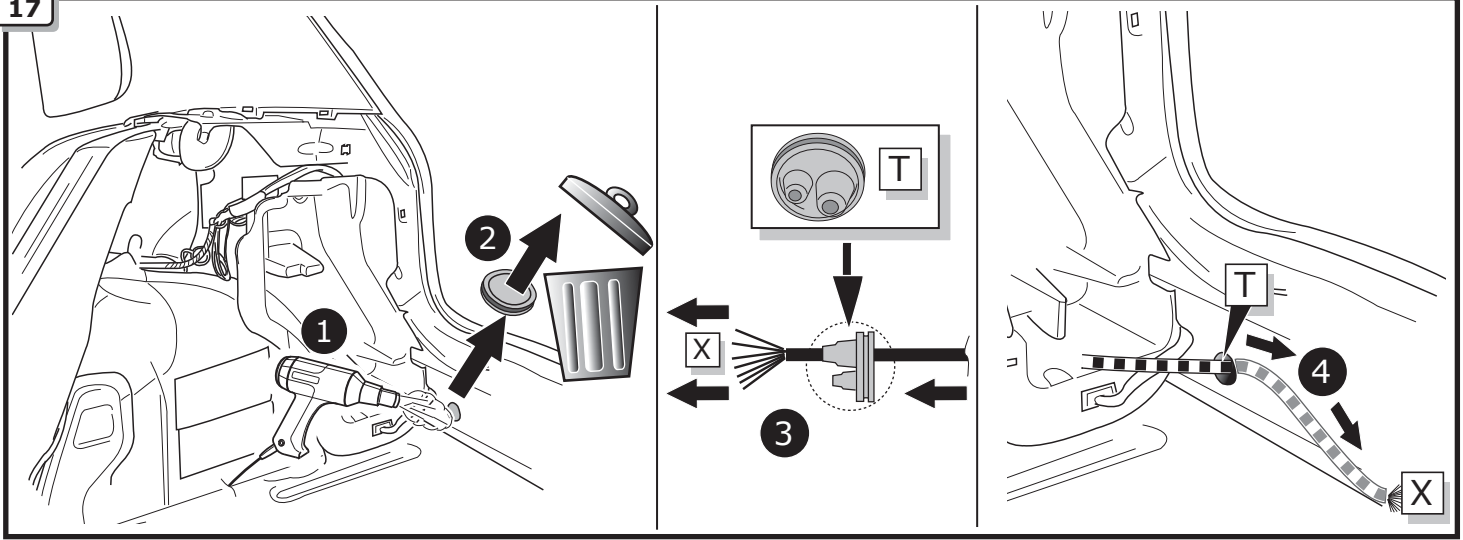
# Jetta

16



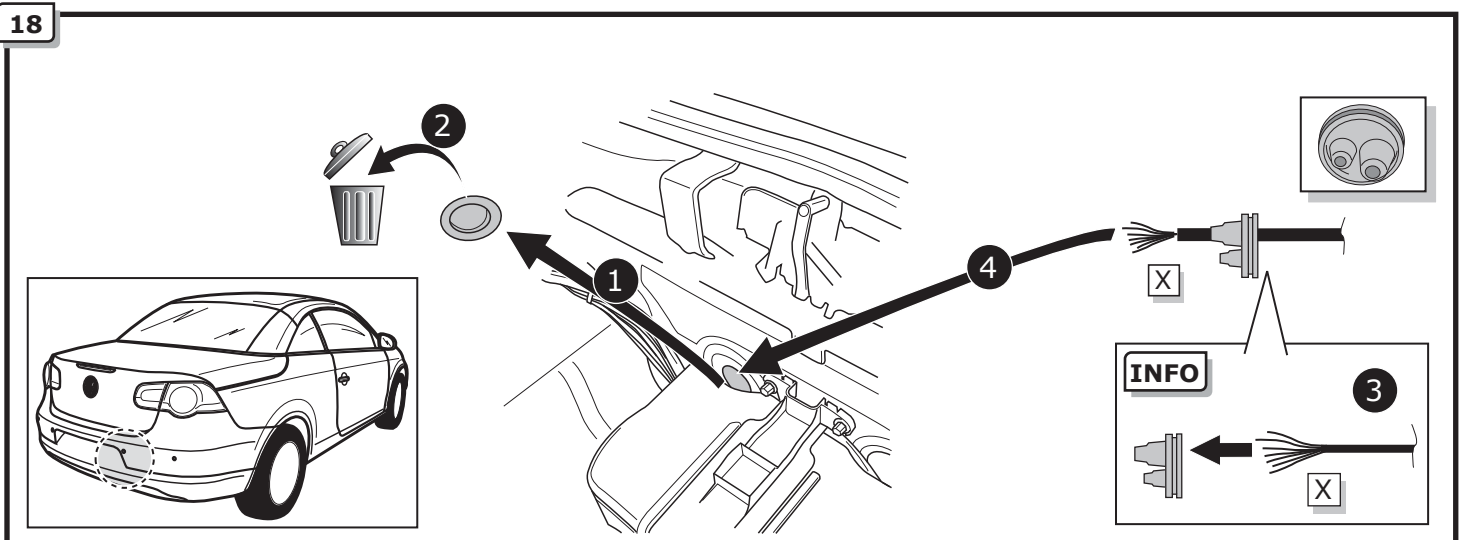
# Tiguan

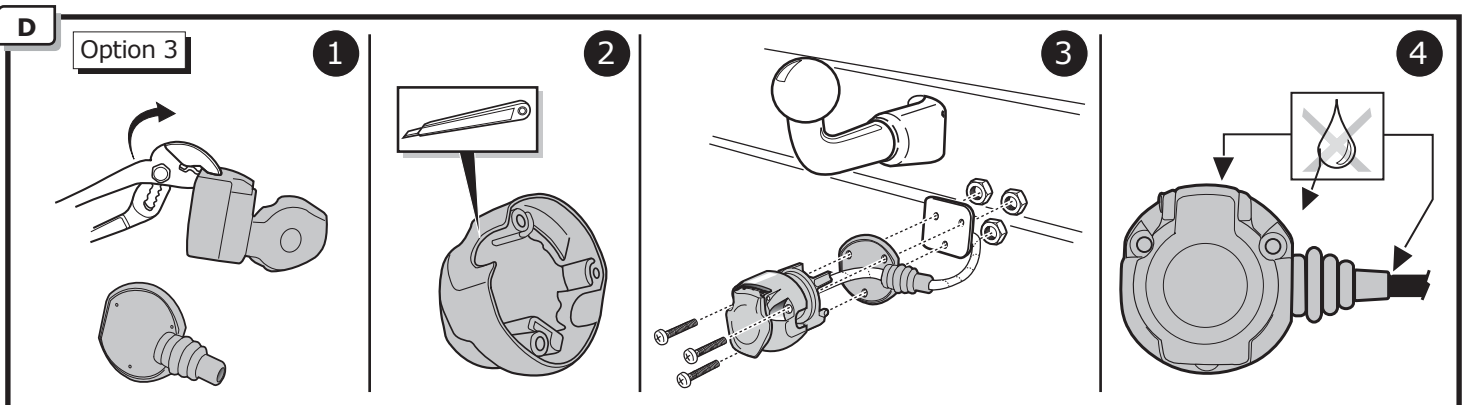
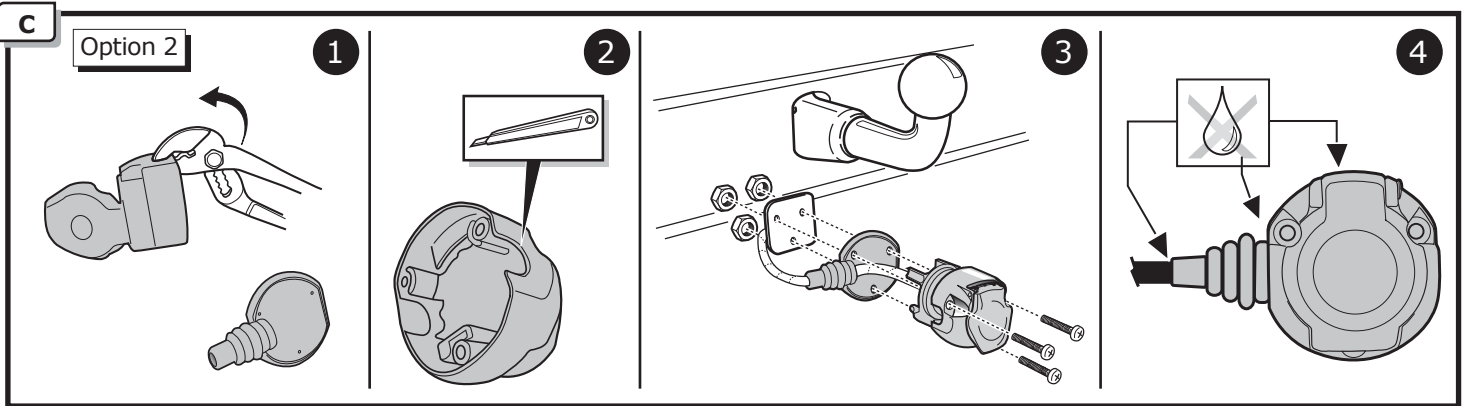
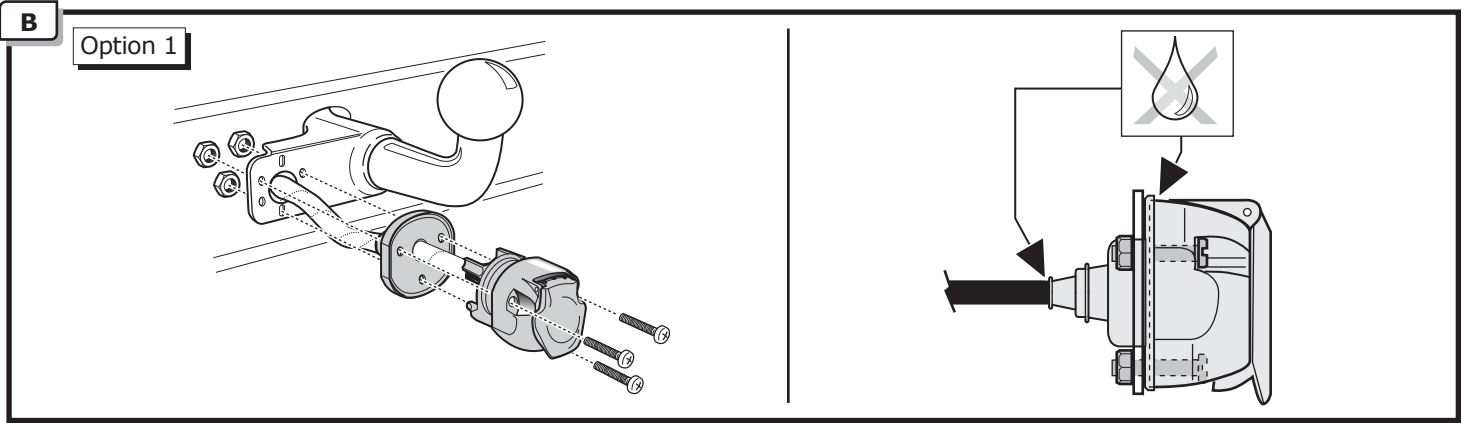
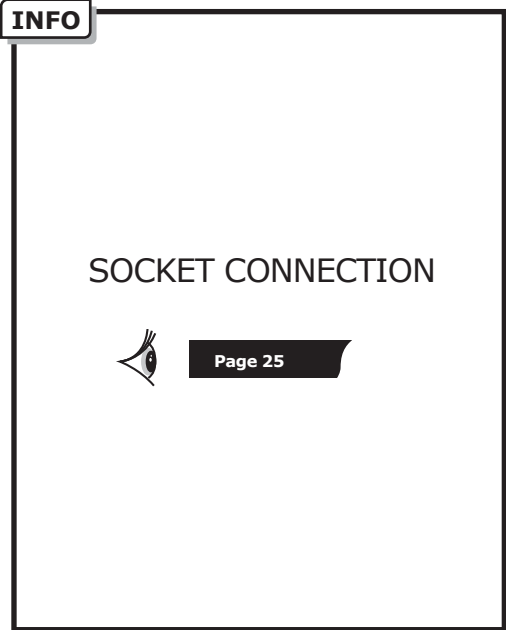
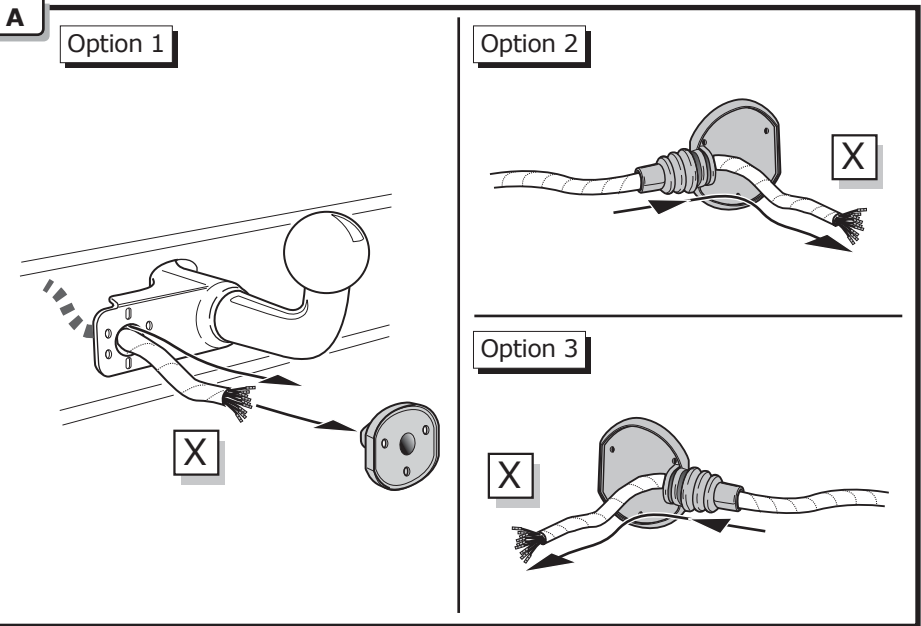
17



# Eos

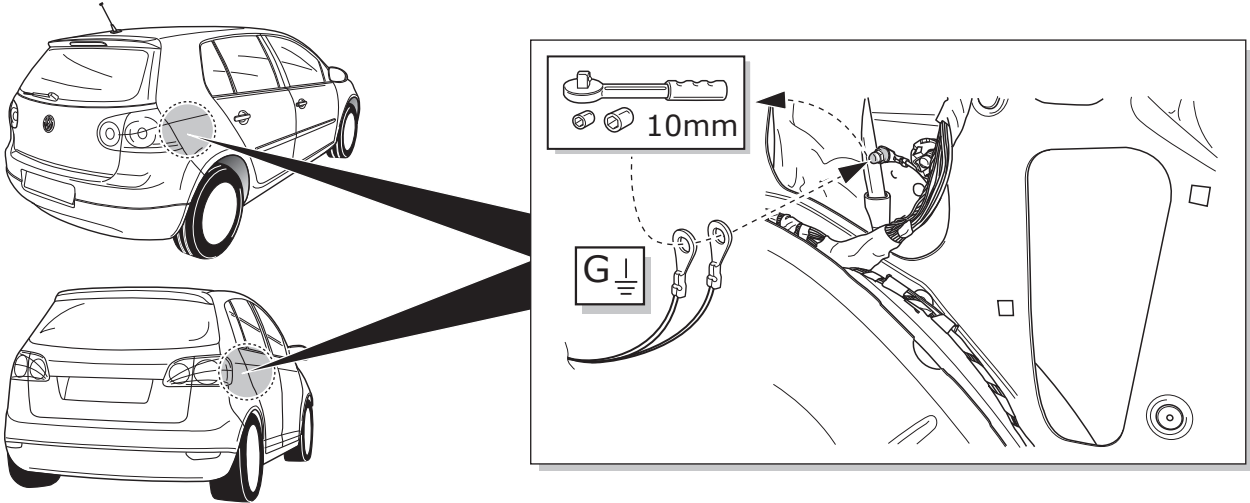
18





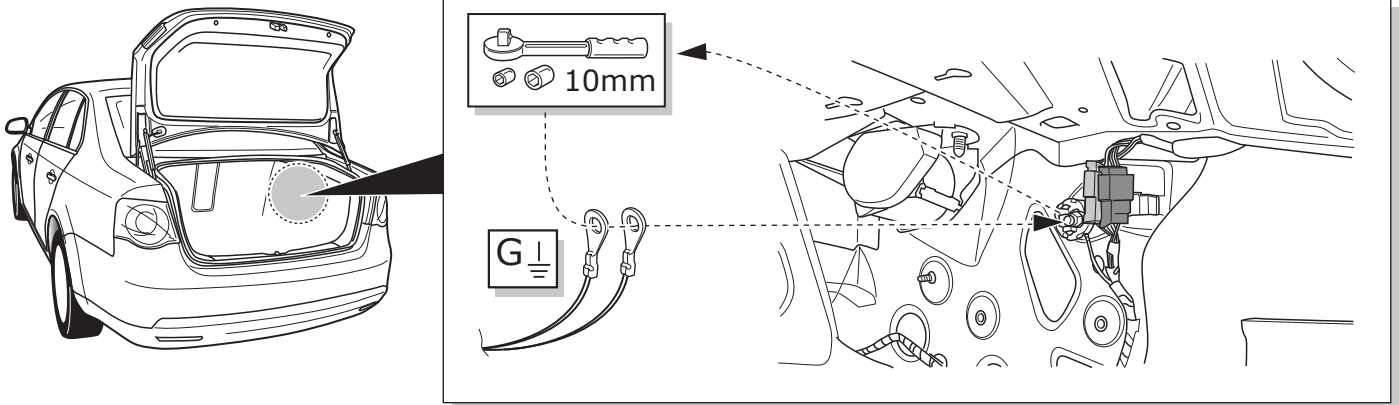
Golf V / Golf VI / Golf V Plus / CrossGolf / Golf VI Plus

19



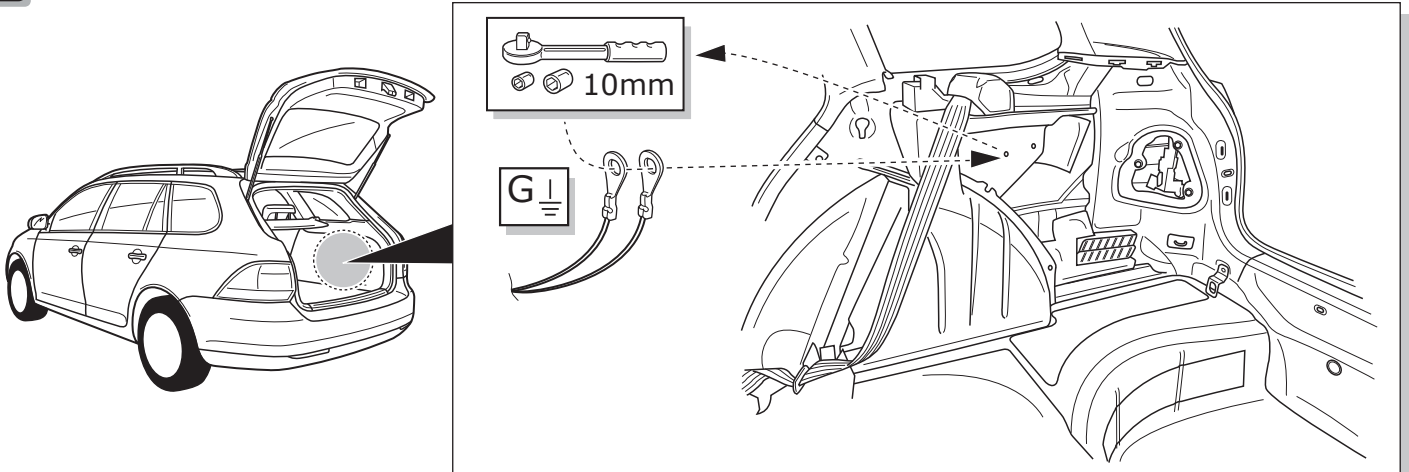
Jetta

20



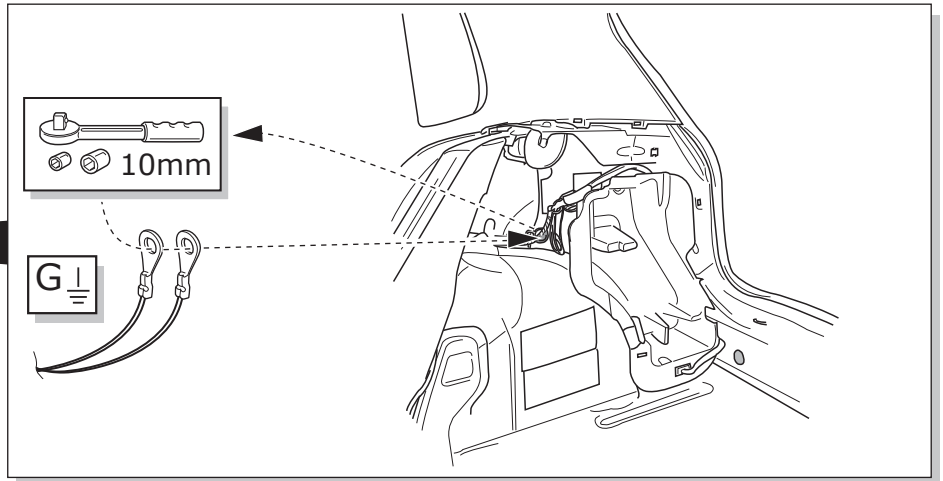
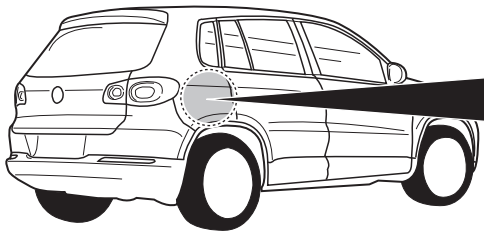
Golf V Variant / Golf VI Variant

21



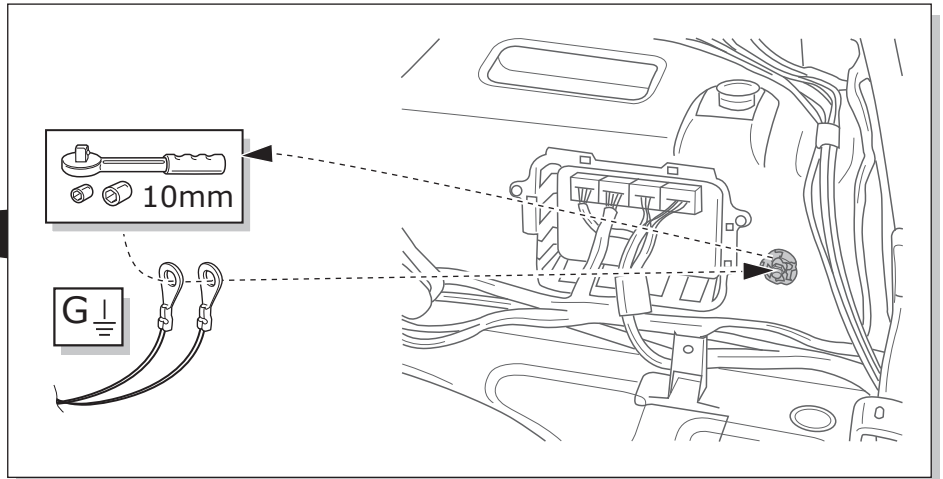
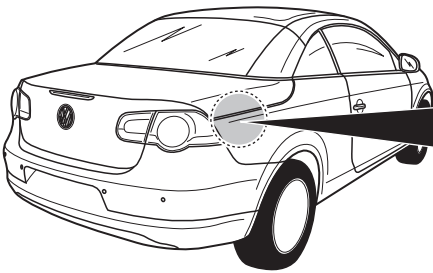
# Tiguan

22



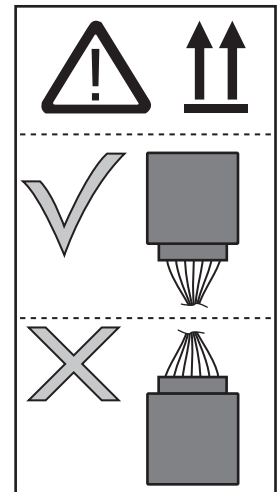
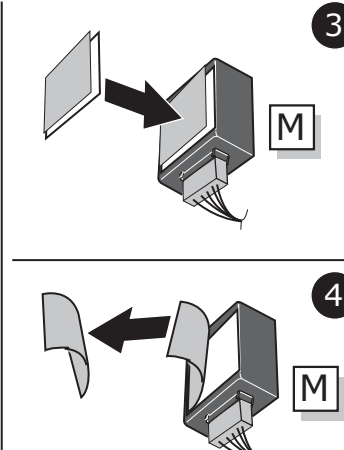
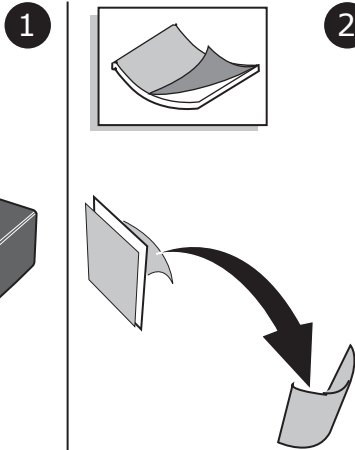
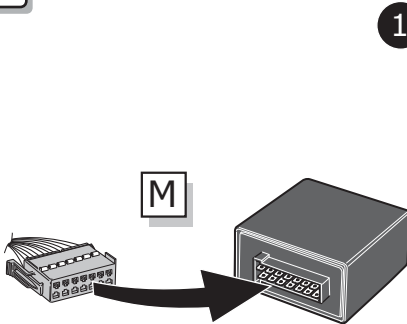
# Eos

23

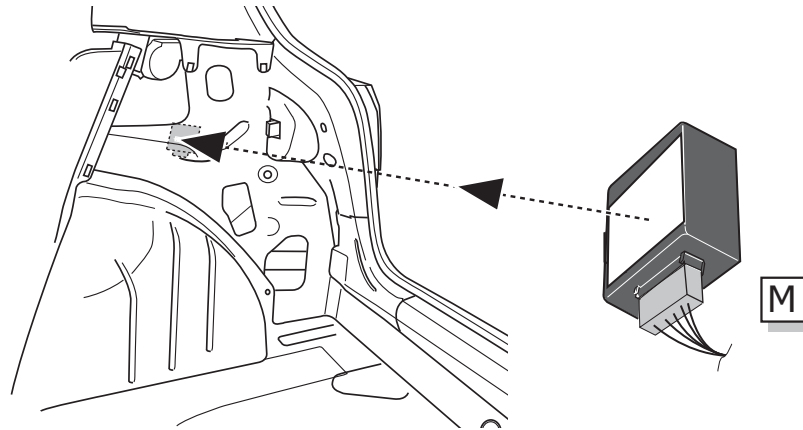


Golf V / Golf VI / Golf VI Variant / Golf V Plus / Golf V Variant / CrossGolf / Jetta / Tiguan / Golf VI Plus / Eos

24

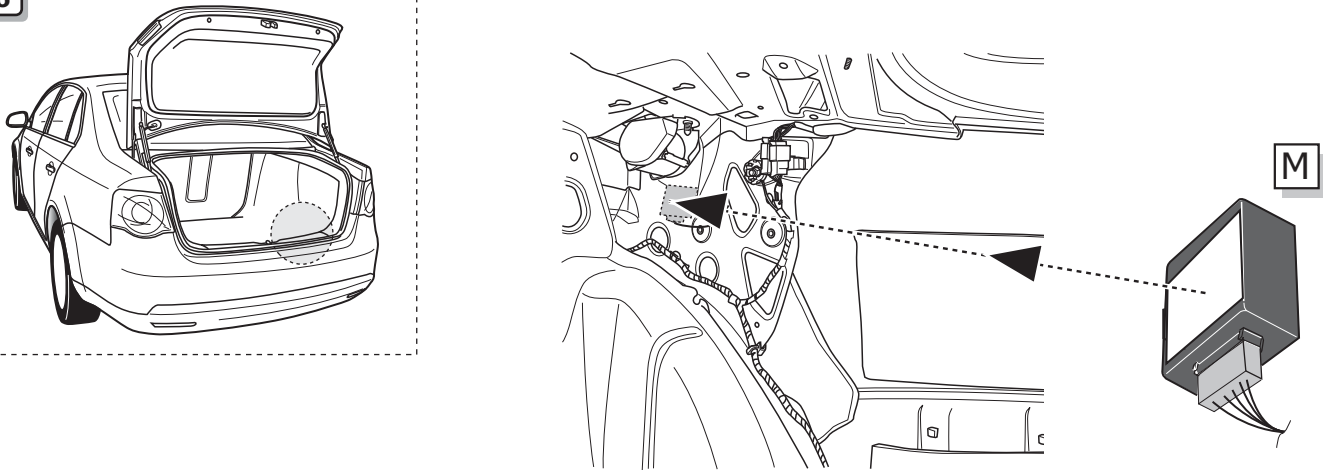


25



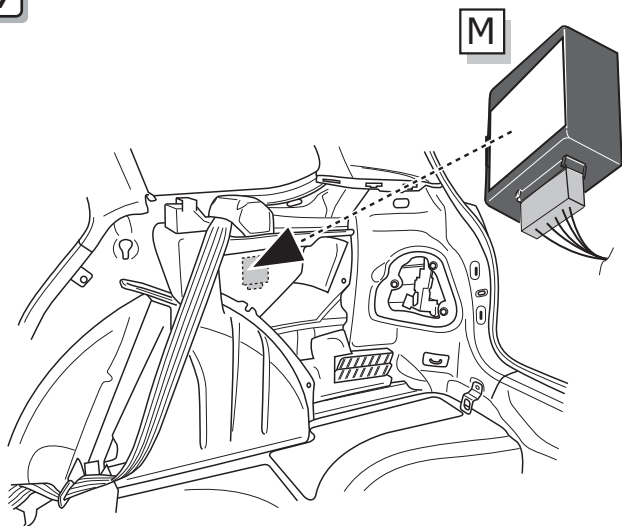
Jetta

26



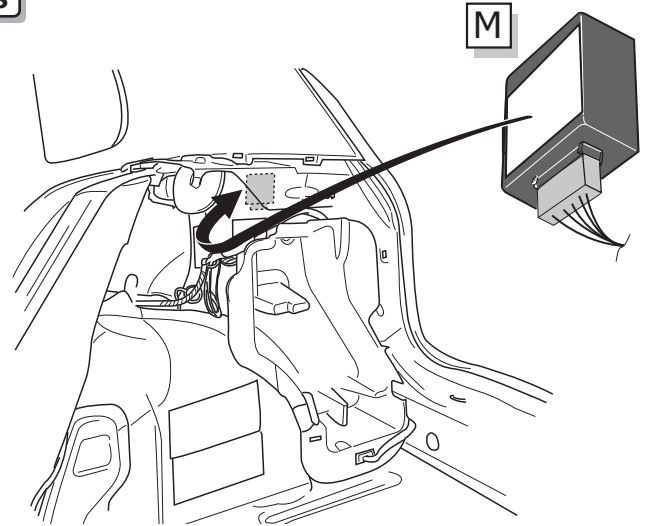
Golf V Variant

27

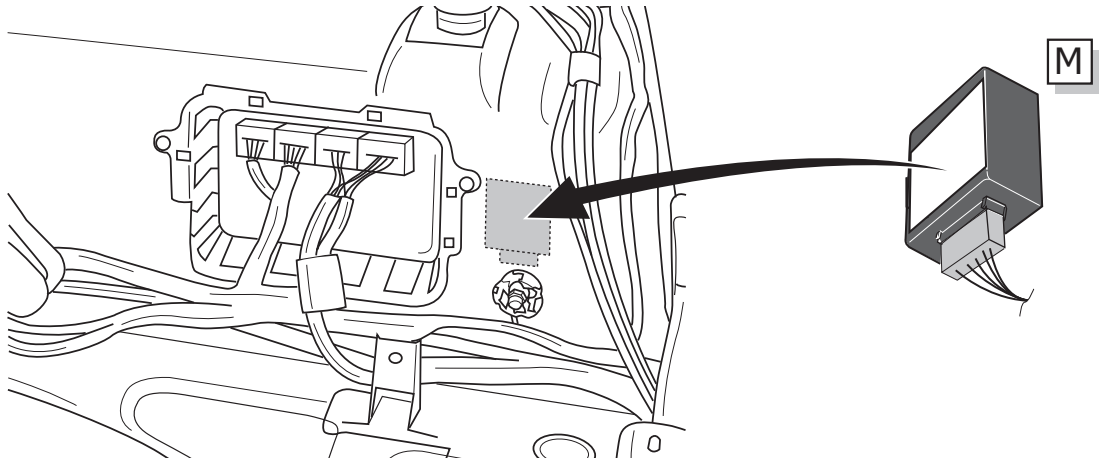


Tiguan

28

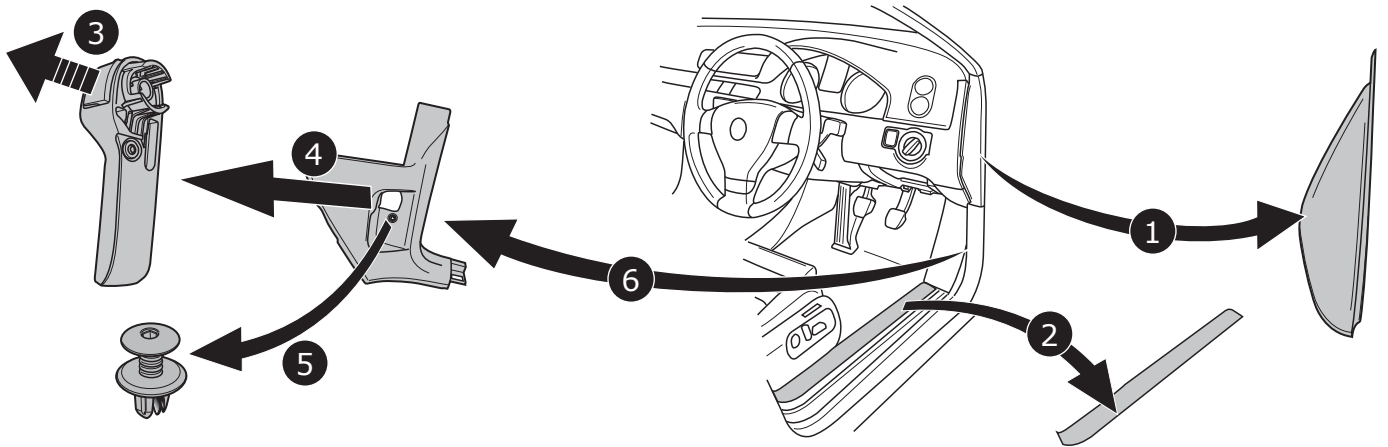


29



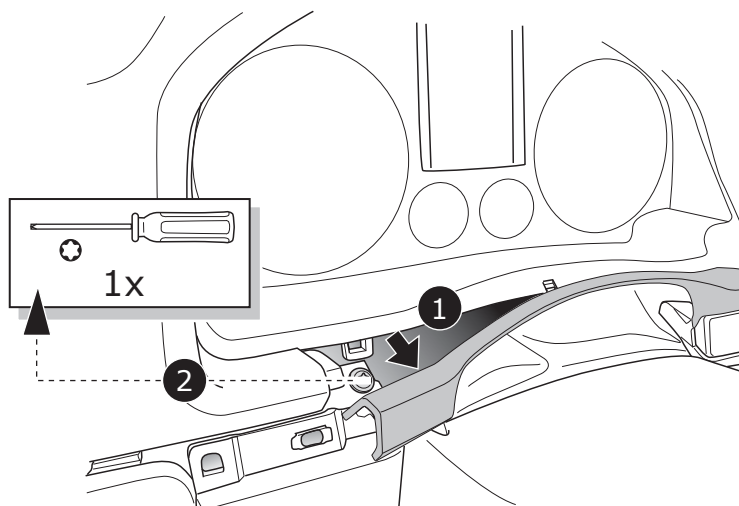
Golf V / Golf VI / Golf VI variant / Golf V Plus / CrossGolf / Tiguan / Golf VI Plus

30

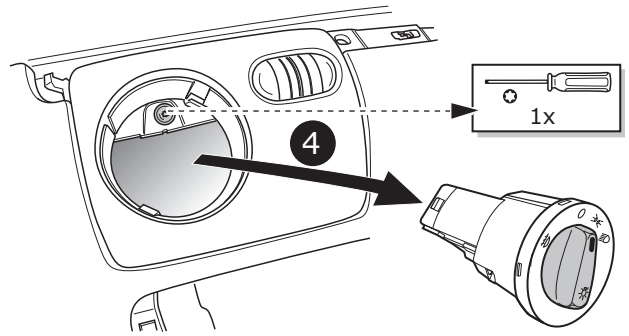
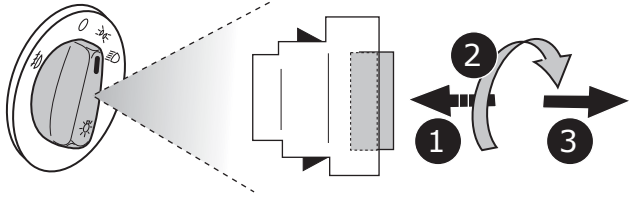


Golf V Variant / Jetta / Tiguan / Golf VI Plus

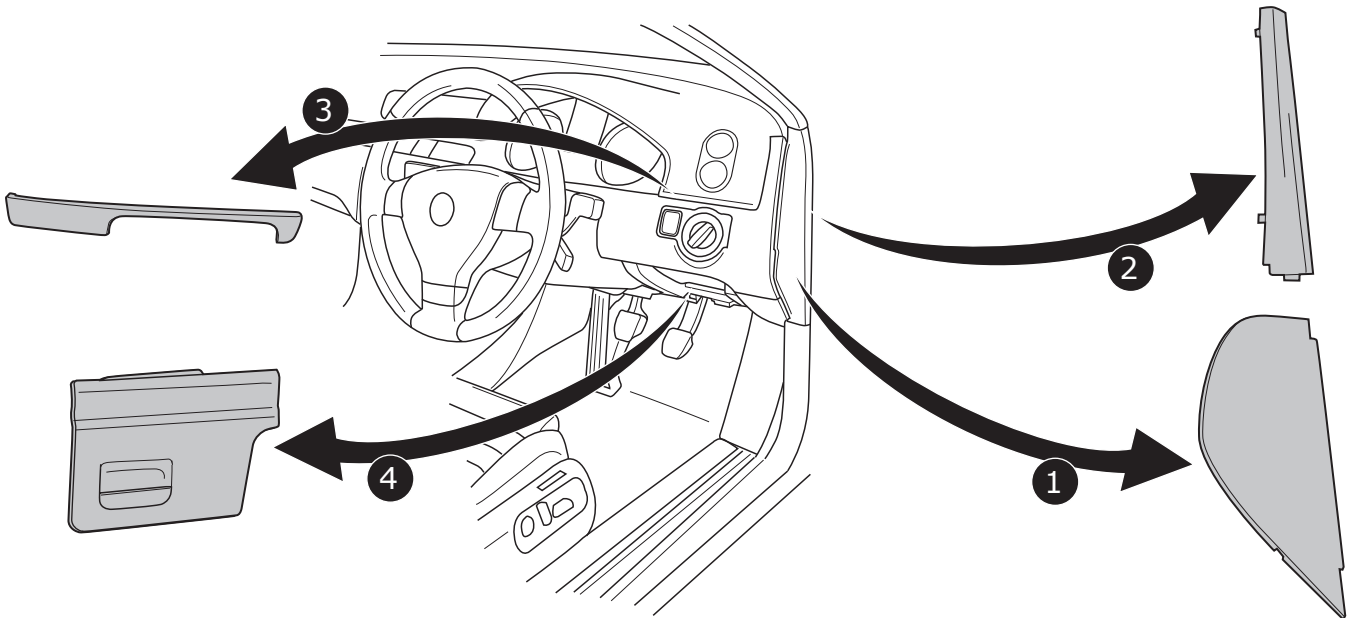
31



32



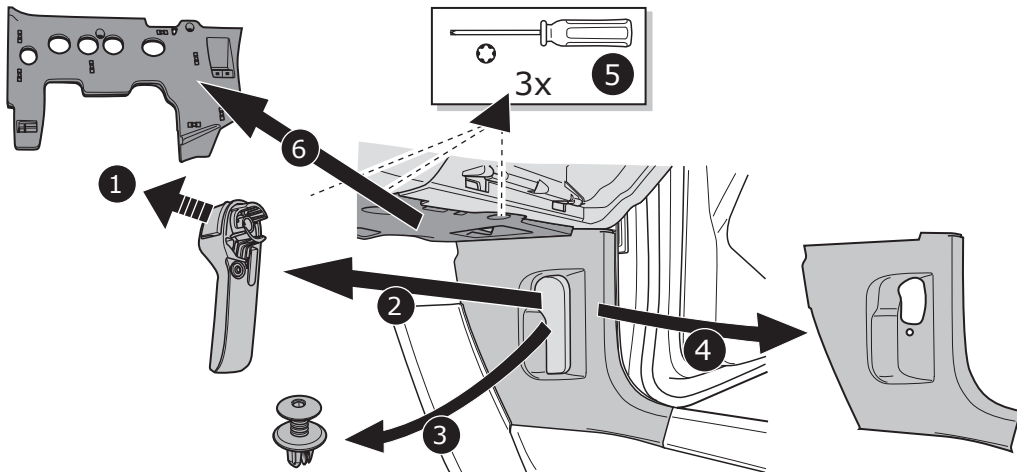
33



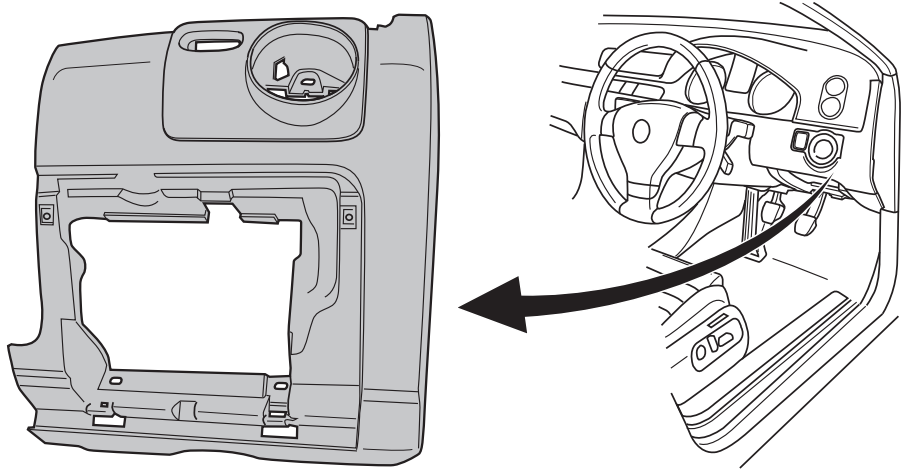


Golf V Variant / Jetta

34

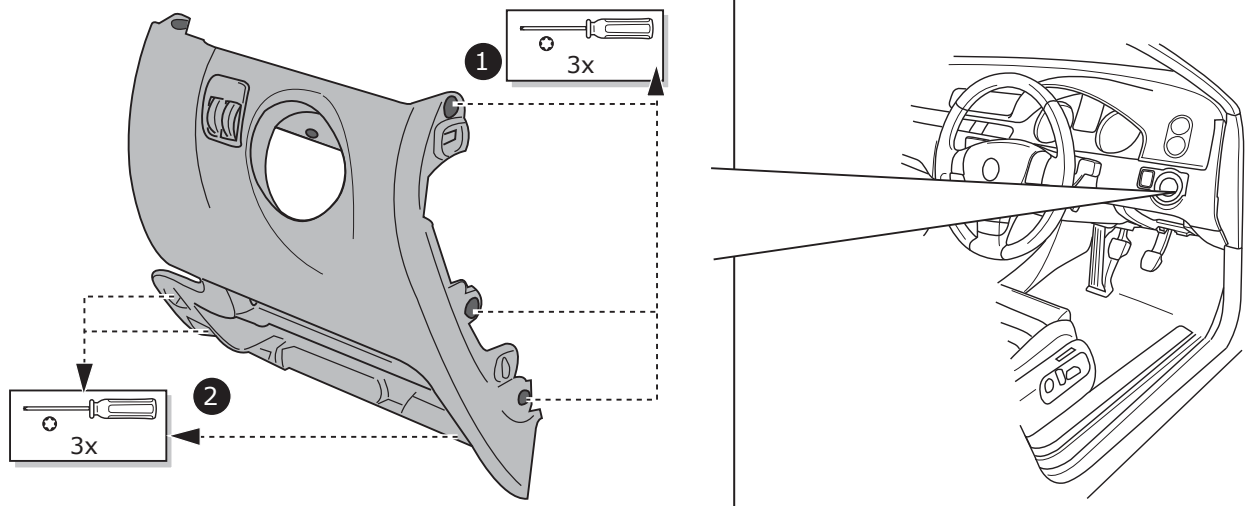


35

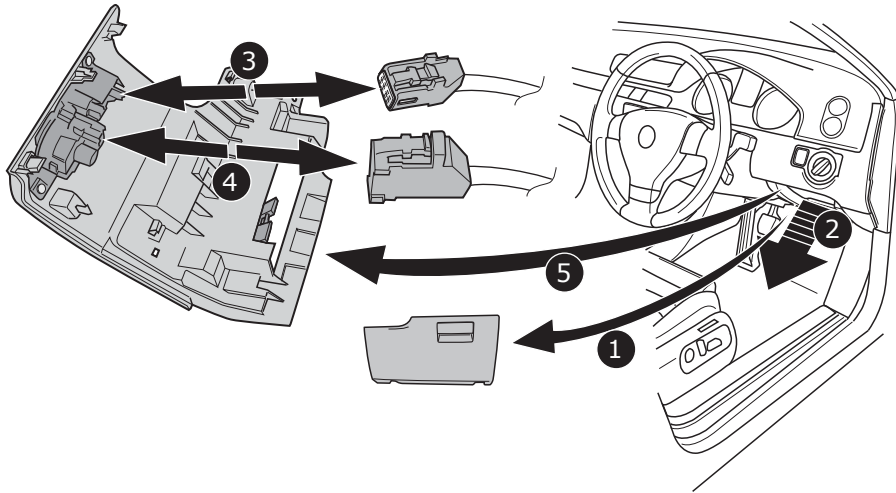


Tiguan

36

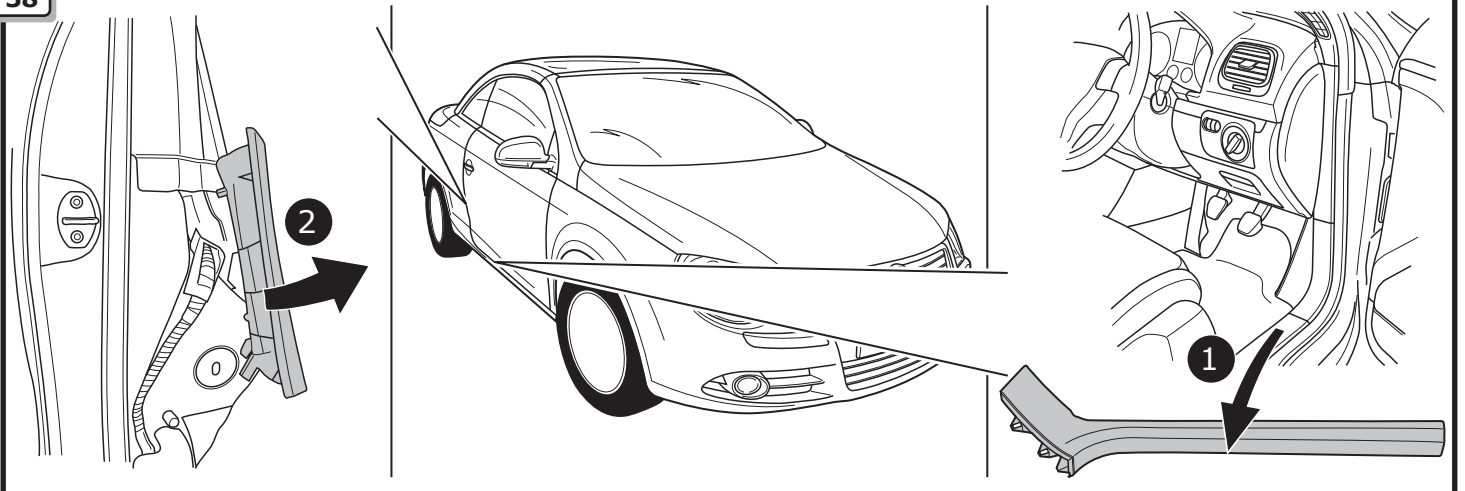


37

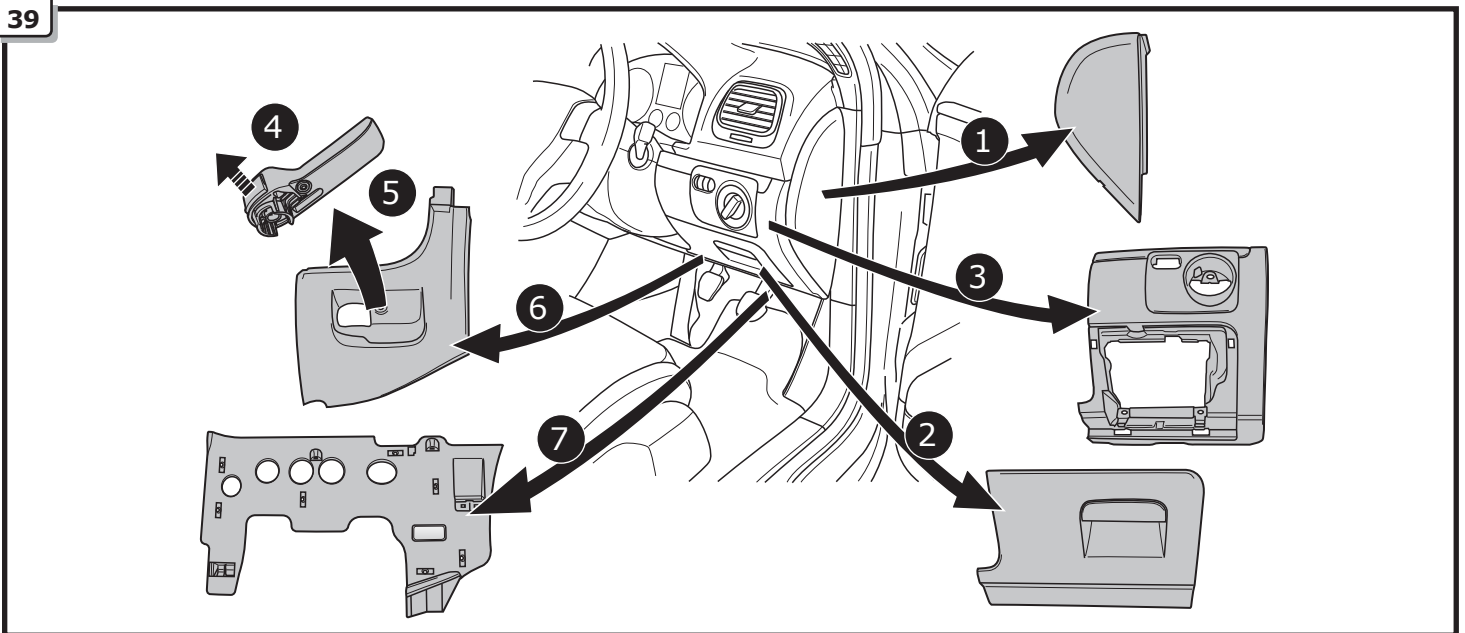


### Eos

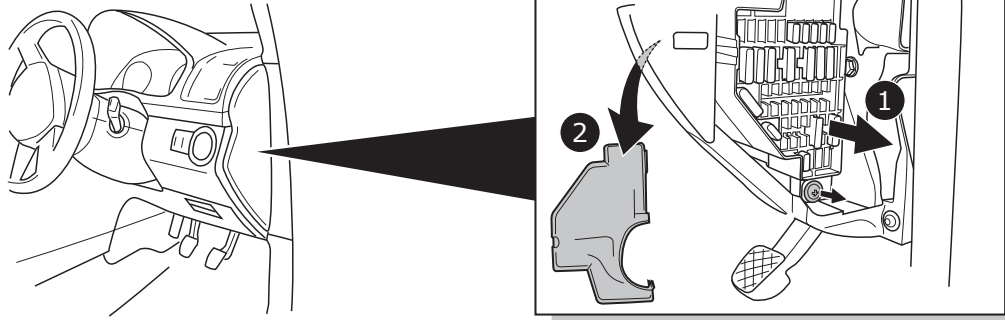
38



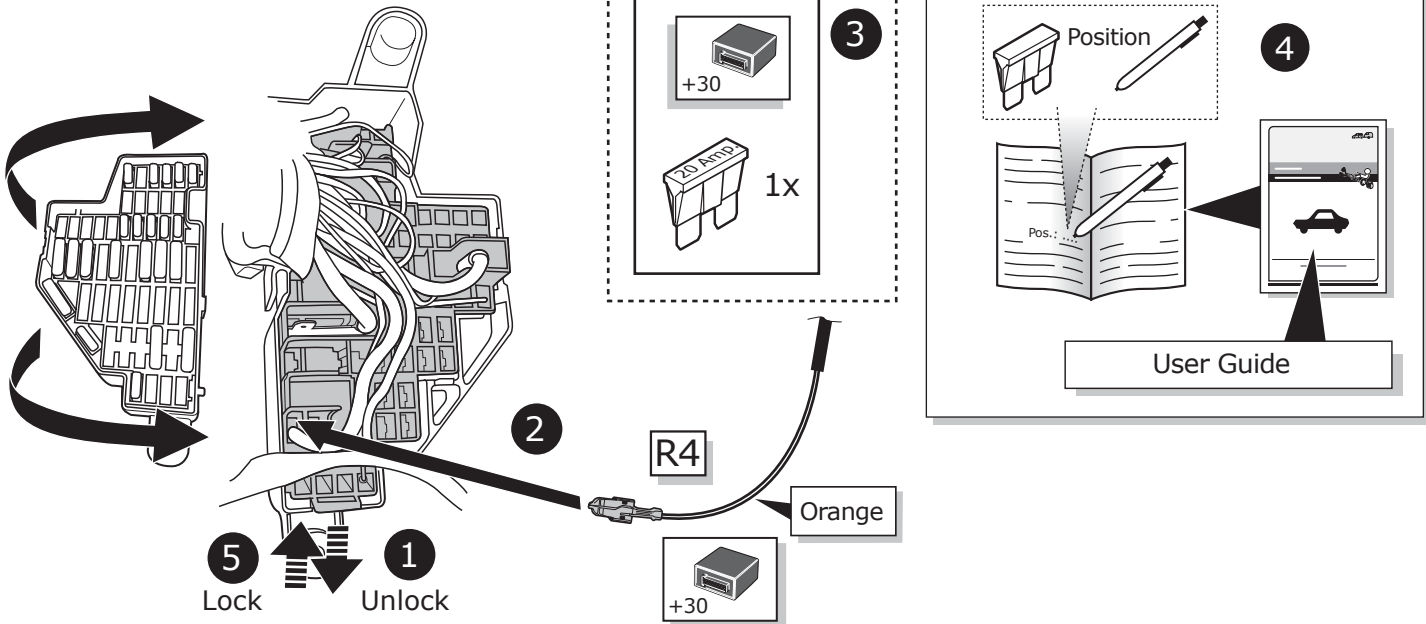
39



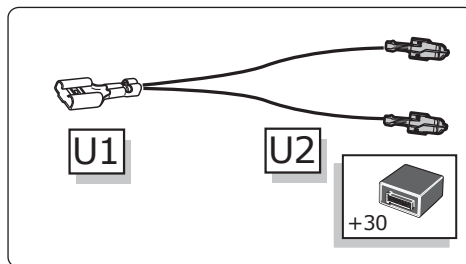
40



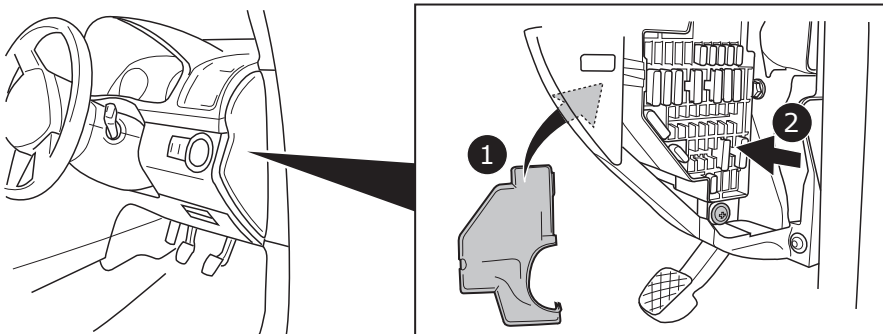
41



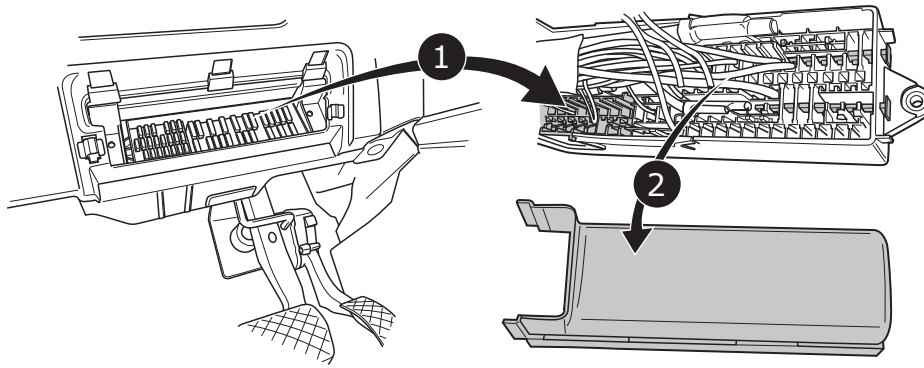
Use if there is no prepared +30 location:



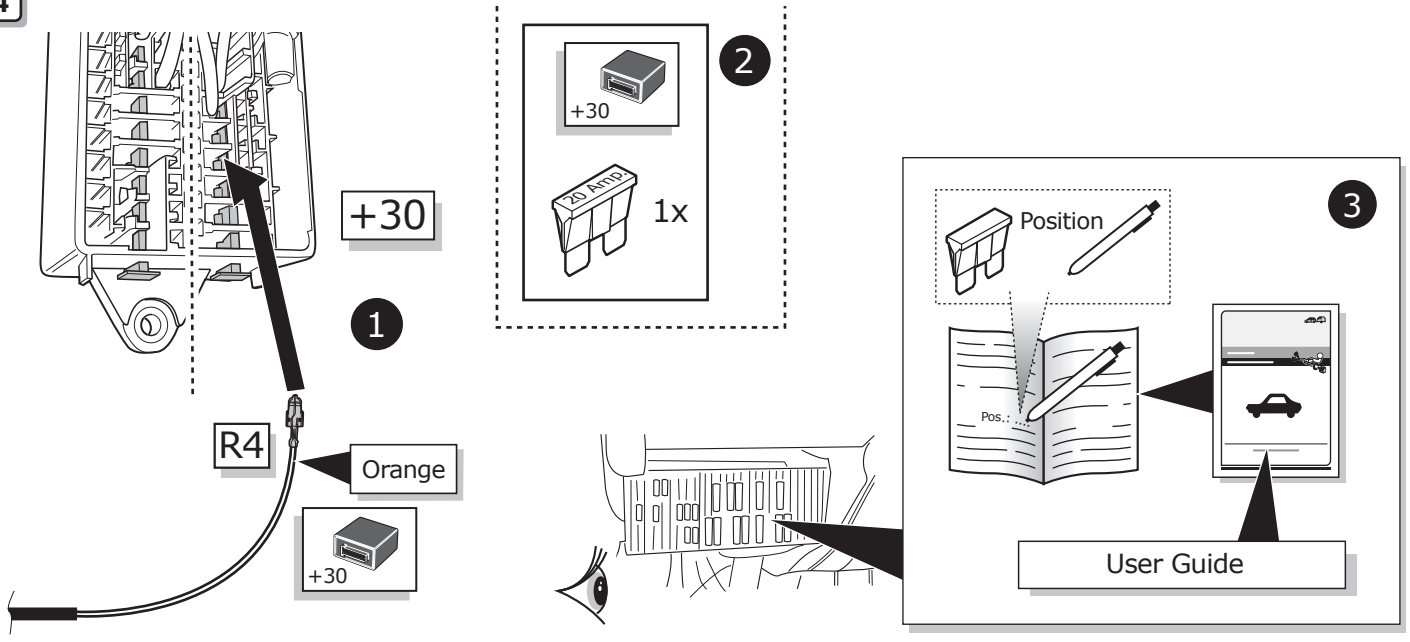
42



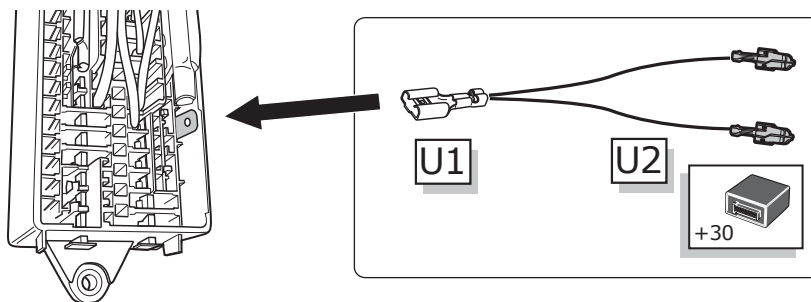
43



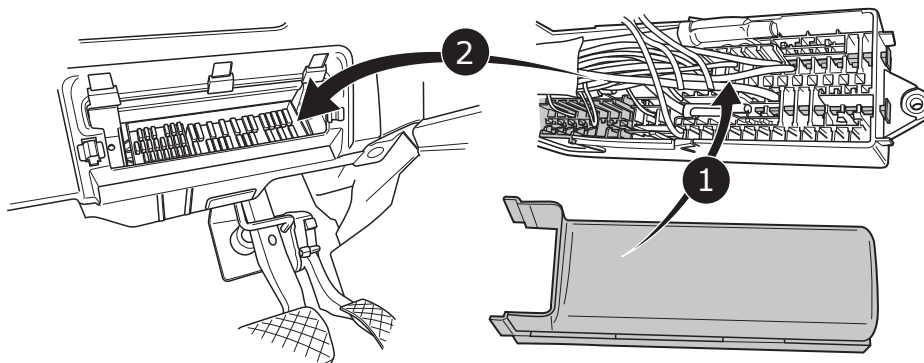
44



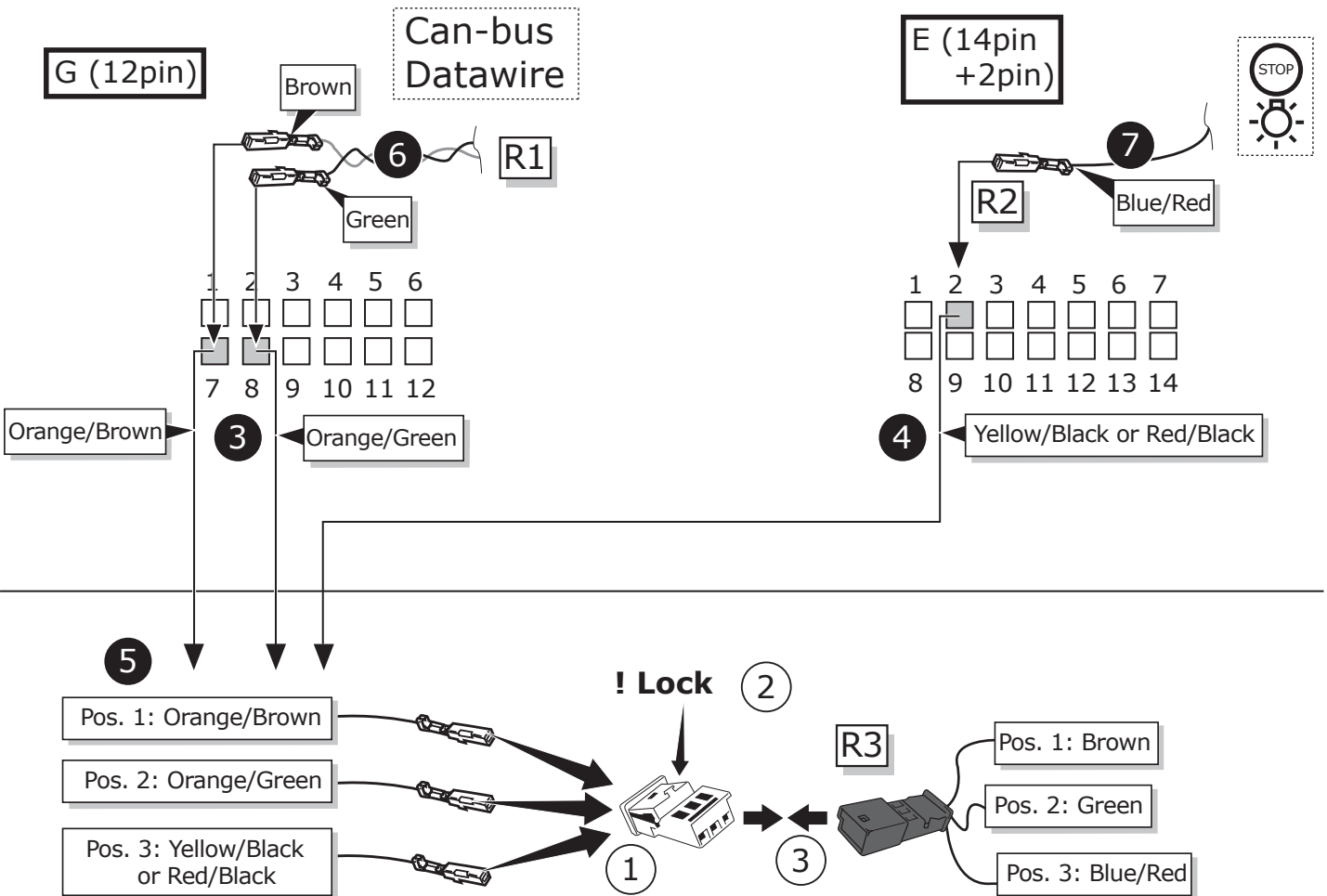
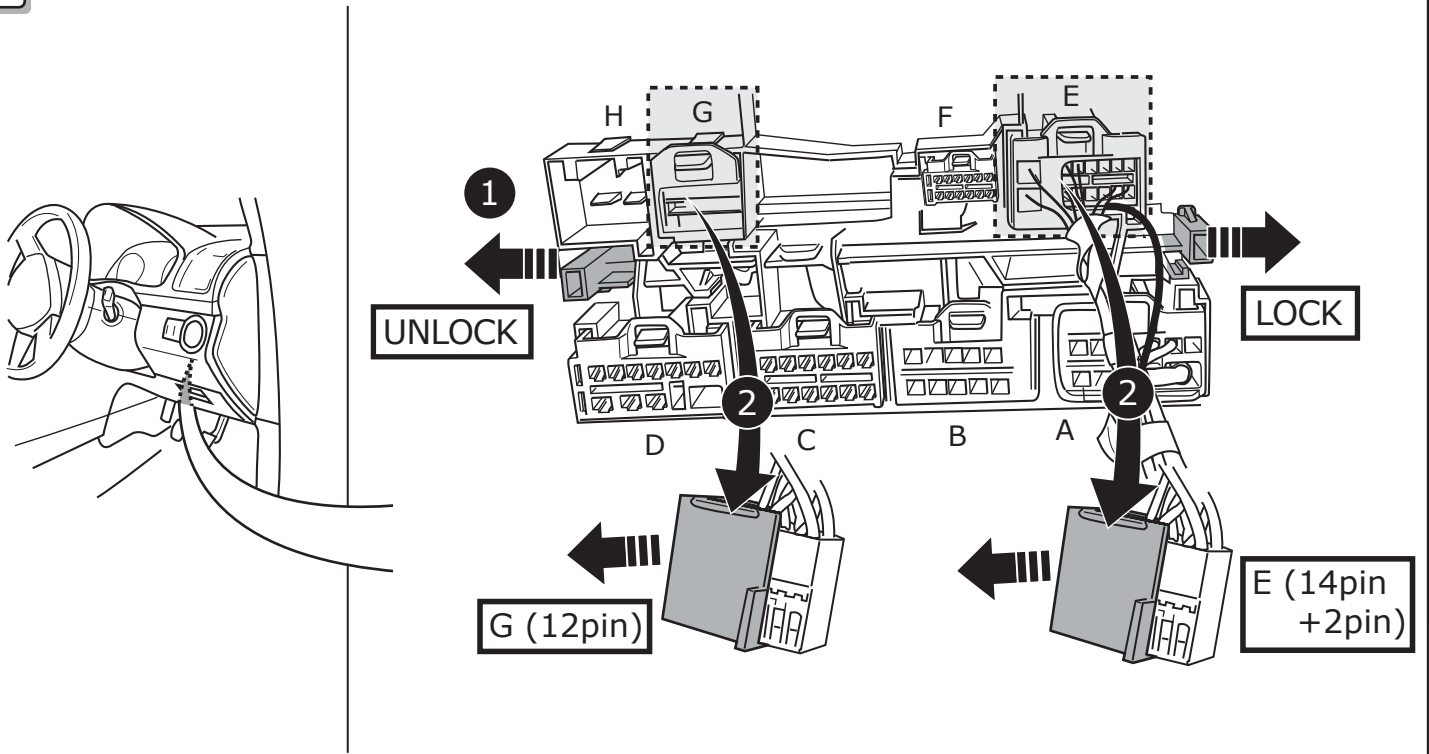
Use if there is no prepared +30 location:



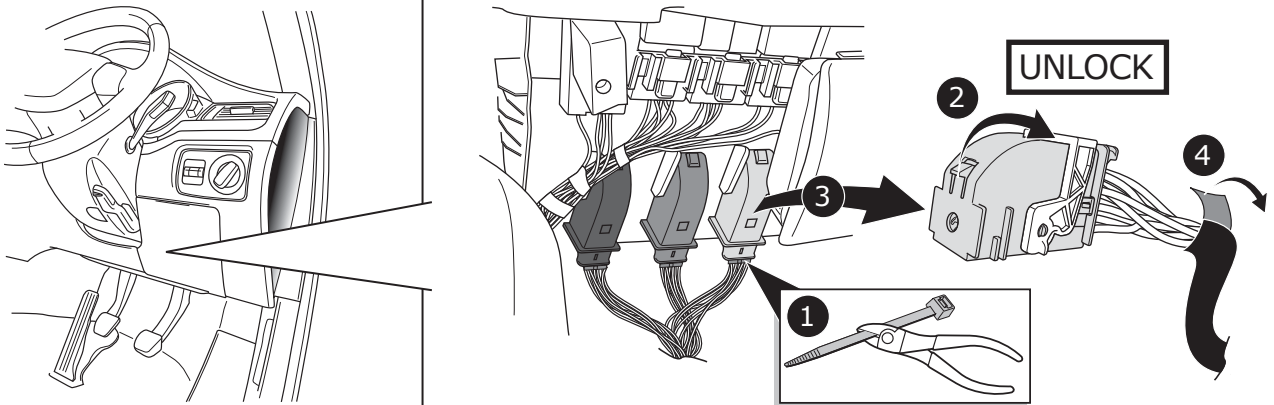
45



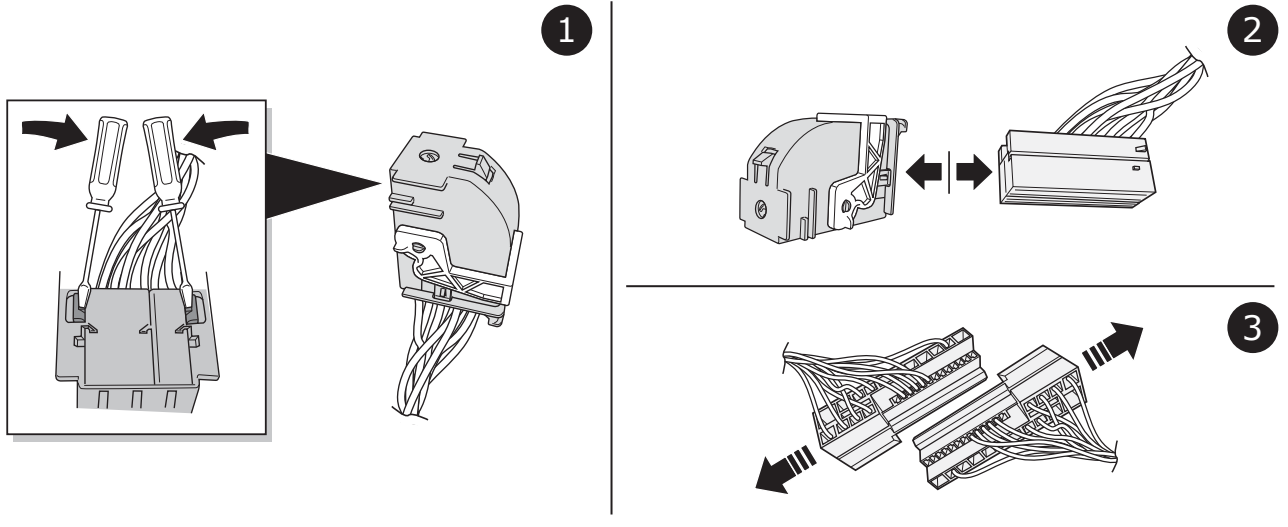
46



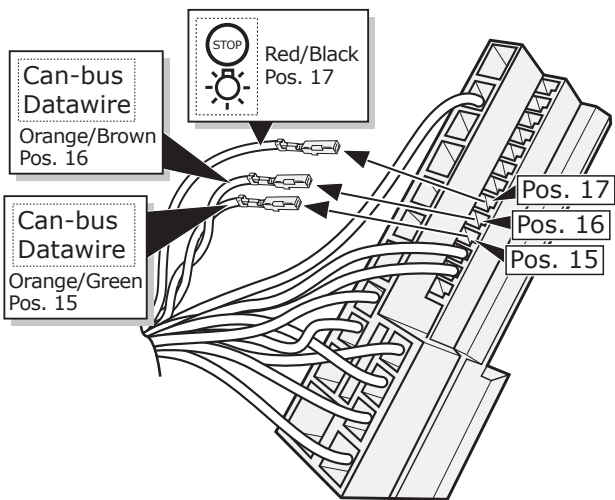
47



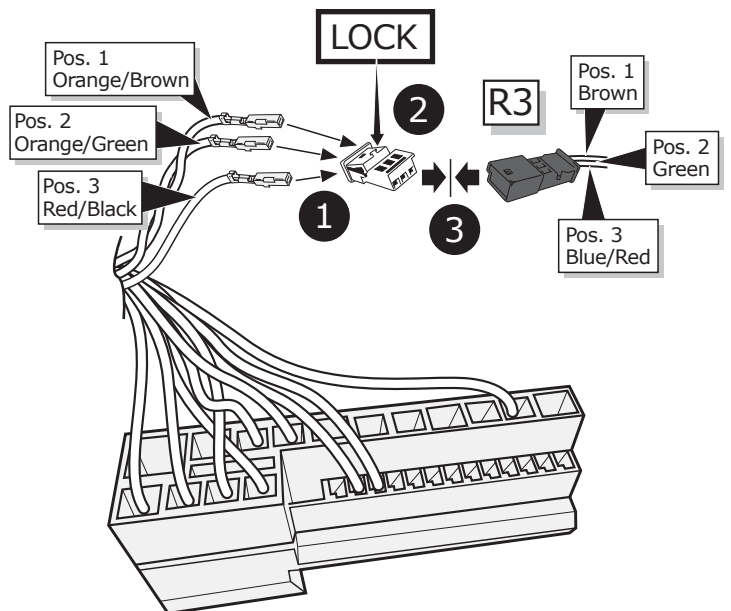
48



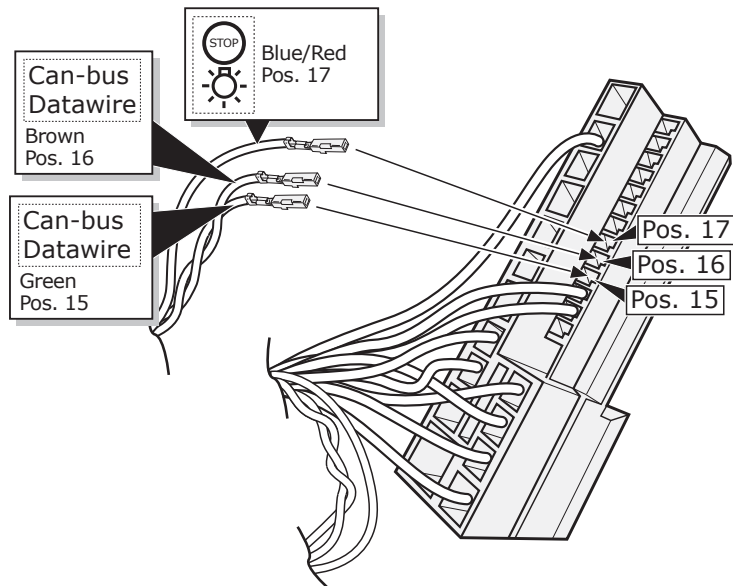
49



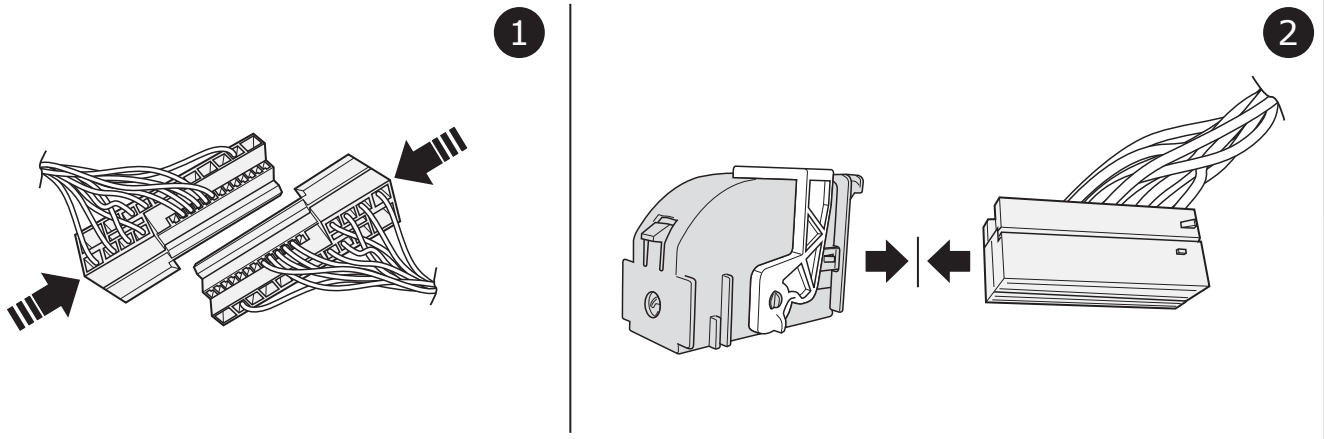
50



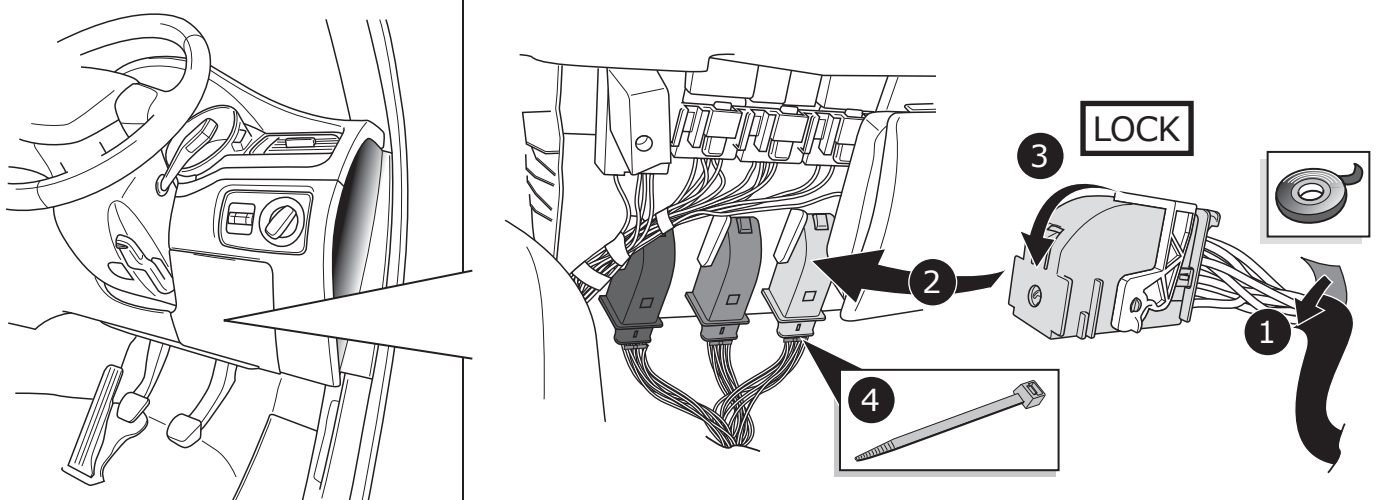
51

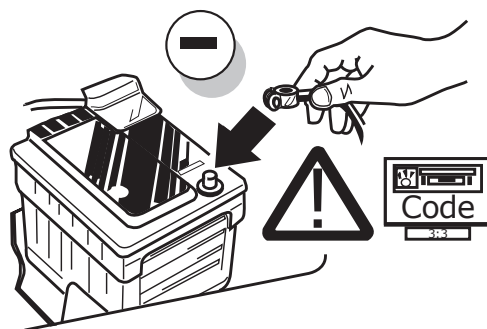


52



53





### Diagnosis Services or diagnostic methods (local / offline):

#### Please note:

Always use the latest diagnostic version!  
The vehicle to be coded must be supported by the diagnostic service provider and already be implemented in the diagnostics version!  
Please contact your diagnostic service provider in case of any question.

- ODIS
- Hella Gutmann
- VCDS
- Autologic
- Bosch / KTS
- SP Diagnostic
- SUN
- Jifeline
- Autocom
- etc. pp.

## CODING WITH ODIS

#### Please note:

The procedure described below for encoding and enabling the trailer mode only serves for a general orientation and can vary greatly depending on the model (motorisation / equipment). If necessary less or further control units will have to be adapted.

**After connecting to ODIS, the "69 trailer function" controller has to be set to encoded in the target installation list.**

The following may be necessary in the further course of work:

#### SWA\_3C (Lane Change Assist)

ECU for draw bar >with ECU for draw bar

#### RFK\_6C (reverse camera system)

equipment\_ahk >installed

#### PLA\_10 (PDC controller)

Trailer >trailer device can be removed manually

#### DIS\_13 (controller distance control)

(possible login code: 14117)  
Control module for towing sens >installed

#### FFF\_A5 (front sensor system controller)

AAG >coded

#### HDE\_6D (boot lid electronics controller)

Trailer >installed

#### Encoding AST\_7E (Driver display unit)

Encoding  
Trailer

#### Important note on encoding and activating in trailer mode!

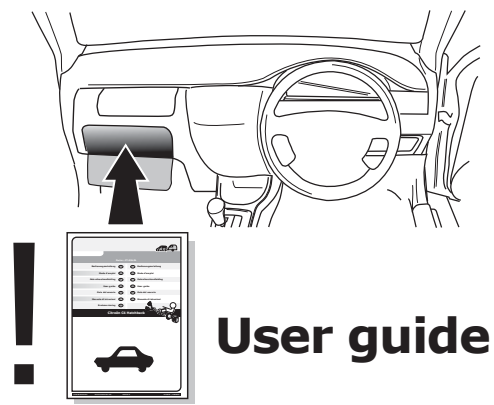
The aforementioned settings are carried out in the vehicle's electrical system and saved locally. During general updates for the vehicle software (for example, within the scope of service or repair work), the settings may be overwritten and deleted under certain circumstances. In this case, the trailer mode activation has to be updated again locally after the update. Diagnostic information relating to the trailer mode that may appear during variance comparisons with the data saved in the manufacturer's works, may form the basis of the local activation.





TEST ALL THE CIRCUITS WITH A TEST DEVICE WITH THE CORRECT POWER LOAD FOR EACH FUNCTION. A TEST DEVICE WITH LED'S CANNOT BE USED FOR THIS PURPOSE.

REINSTALL TRIM.



**User guide**



SOCKET CONNECTION

DIN/ISO 11446												—	
	1/L	2	3/31	4/R	5/58-R	6/54	7/58-L	8	9	10	11	12	13
Pmax	21W	21W		21W	42W	3x21W	42W	21W	180W/15Amp	180W/15Amp			
Colour	Black/White	Blue	Brown	Black/Green	Grey/Red	Black/Red	Grey/Black	Black	Red	Yellow	Brown	Red/Blue	Brown